

AXCEN

PHOTONICS CORPORATION

AXGE-3551 1.25Gbps Single-mode 1550nm, 1x9 DSC Transceiver



Product Overview

The AXGE-3551 family of 1x9 DSC transceiver modules is specifically designed for the high performance integrated duplex data link over single-mode optical fiber. These transceiver modules are compliant with the DSC Multisource Agreement (MSA). These modules are designed to provide 1000Base-XD compliant in Gigabit Ethernet applications.

The AXGE-3551 transceivers using a long wavelength (1550nm) DFB laser diode enable data transmission up to 60km on a single-mode (9/125 μ m) optical fiber.

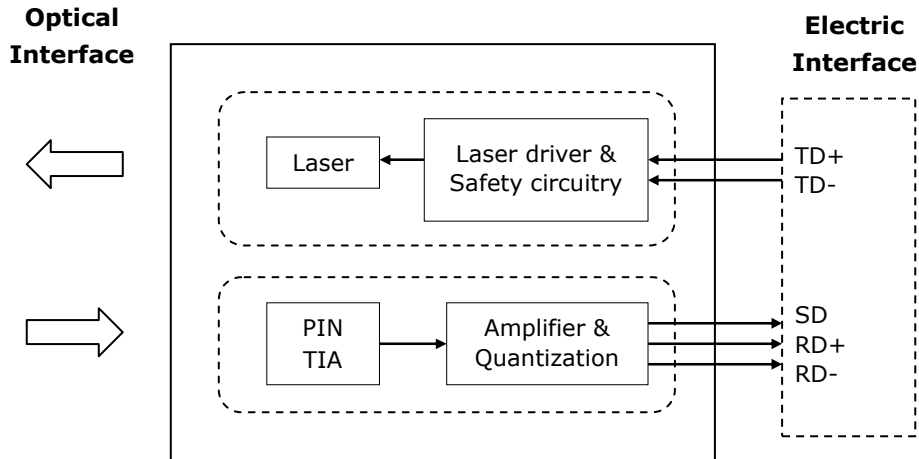
Features

- **Low Profile (9.8mm maximum) plastic molded package**
- **Single 3.3 power supply operation**
- **DC or AC coupling PECL level inputs and outputs**
- **PECL or TTL signal detect output**
- **Class 1 laser safety standard IEC 60825 compliant**
- **60km link on a single-mode fiber**
- **Low power dissipation**

Applications

- **1xFibre Channel**
- **Gigabit Ethernet**
- **High speed I/O for file server**

Block diagram

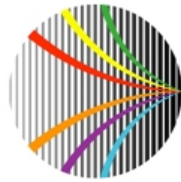


Absolute Maximum Ratings

Parameter	Symbol	Min.	Max.	Unit	Note
Storage Temperature	T_S	-40	+85	°C	
Supply Voltage	V_{CCT} V_{CCR}	-0.5	4.0	V	
Storage Relative Humidity	RH	5	95	%	
Lead Soldering Temperature	T_{Is}		260	°C	
Lead Soldering Time	t_{Is}		10	sec	

Recommended Operating Conditions

Parameter	Symbol	Min.	Typ.	Max.	Unit	Note
Case Operating Temperature	T_C	0		70	°C	Refer to ordering information
		-40		85		
Supply Voltage	V_{CC}	3.1	3.3	3.5	V	
Supply Current	$I_{TX} + I_{RX}$		150	300	mA	



Transmitter Electro-Optical Interface

Parameter	Symbol	Min.	Typ.	Max.	Unit	Note
Data Input Voltage – Low	V_L-V_{CC}	-1.81		-1.475	V	
Data Input Voltage - High	V_H-V_{CC}	-1.165		-0.880	V	
Optical Output Power	P_O	-2		+3	dBm	1
Optical Extinction Ratio	E_R	9			dB	
Center Wavelength	λ_C	1520	1550	1580	nm	
Spectral Width (-20dB)	$\Delta\lambda$			1	nm	
Side Mode Suppression Ratio	SMSR	30			dB	
Optical Rise / Fall Time	t_r / t_f			260	ps	2
Relative Intensity Noise	RIN			-120	dB/Hz	
Total Contributed Jitter	TJ			227	ps	

Notes:

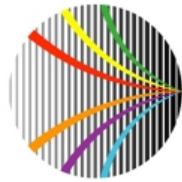
1. Coupling into a 9/125 μ m single-mode fiber.
2. 20% to 80% value

Receiver Electro-Optical Characteristics

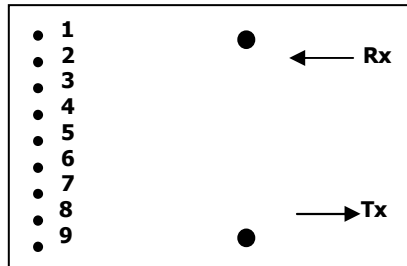
Parameter	Symbol	Min.	Typ.	Max.	Unit	Note
Receiver Overload	P_{INMAX}	-1			dBm	1
Receiver Sensitivity	P_{INMIN}			-23	dBm	1
Operating Center Wavelength	λ_C	1260		1620	nm	
Receiver Signal Detect – High	P_{RX_SDA}			-23	dBm	
Receiver Signal Detect – Low	P_{RX_SDD}	-35			dBm	
Receiver Signal Detect - Hysteresis	P_{RX_SDH}	0.5			dB	

Notes:

1. With BER better than or equal to 1×10^{-12} , measured in the center of the eye opening with $2^7 - 1$ PRBS



Pin Description

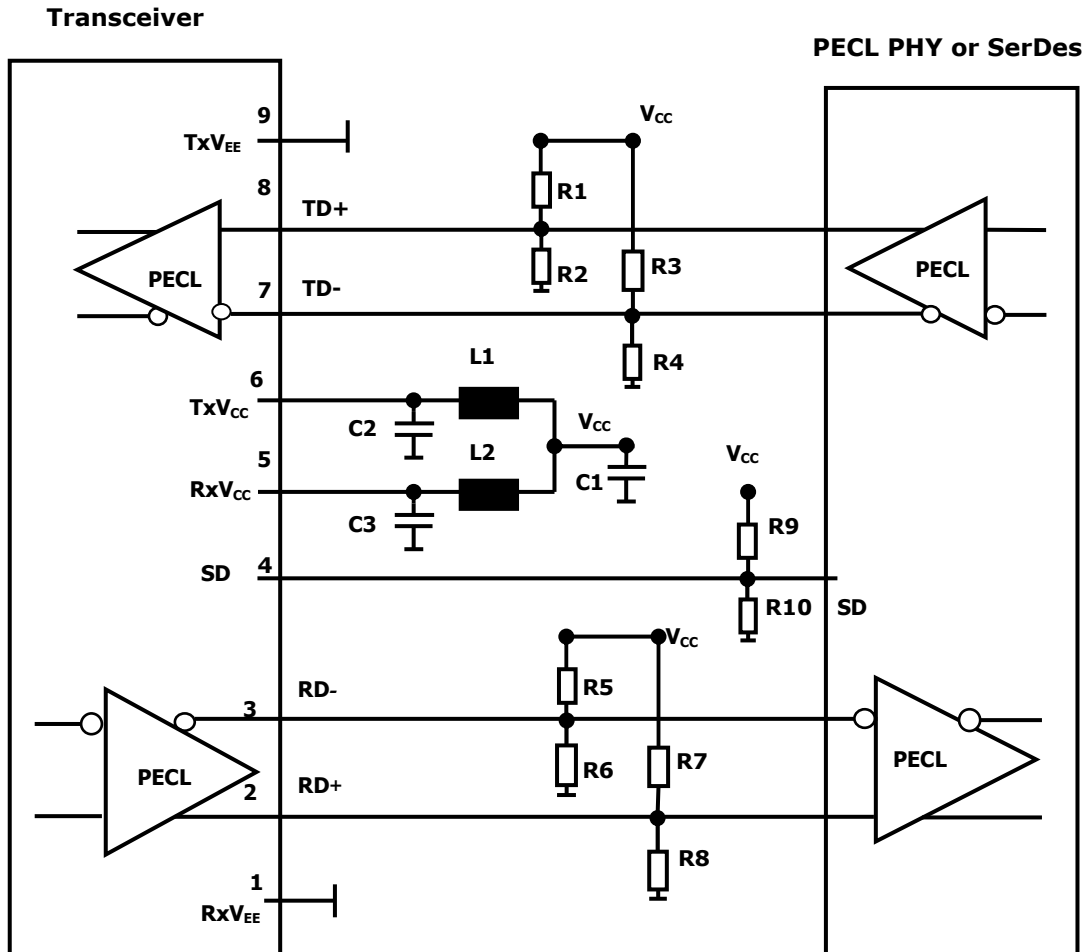


Top View

Pin No	Pin Name	Function	Notes
1	RxV _{EE}	Receiver signal ground	
2	RD+	Receiver data out	
3	RD-	Receiver data out bar	
4	SD	Signal detect	
5	RxV _{CC}	Receiver power supply	
6	TxV _{CC}	Transmitter power supply	
7	TD-	Transmitter data in bar	
8	TD+	Transmitter data in	
9	TxV _{EE}	Transmitter signal ground	

Recommended Interface Circuit

TX DC Coupling / RX DC Coupling, PECL Signal Detect



Notes:

R1/R3/R5/R7/R9=130 ohm @3.3V (Depends on SerDes chip used.)

=82 ohm @5V (Depends on SerDes chip used.)

R2/R4/R6/R8/R10=82 ohm @3.3V (Depends on SerDes chip used.)

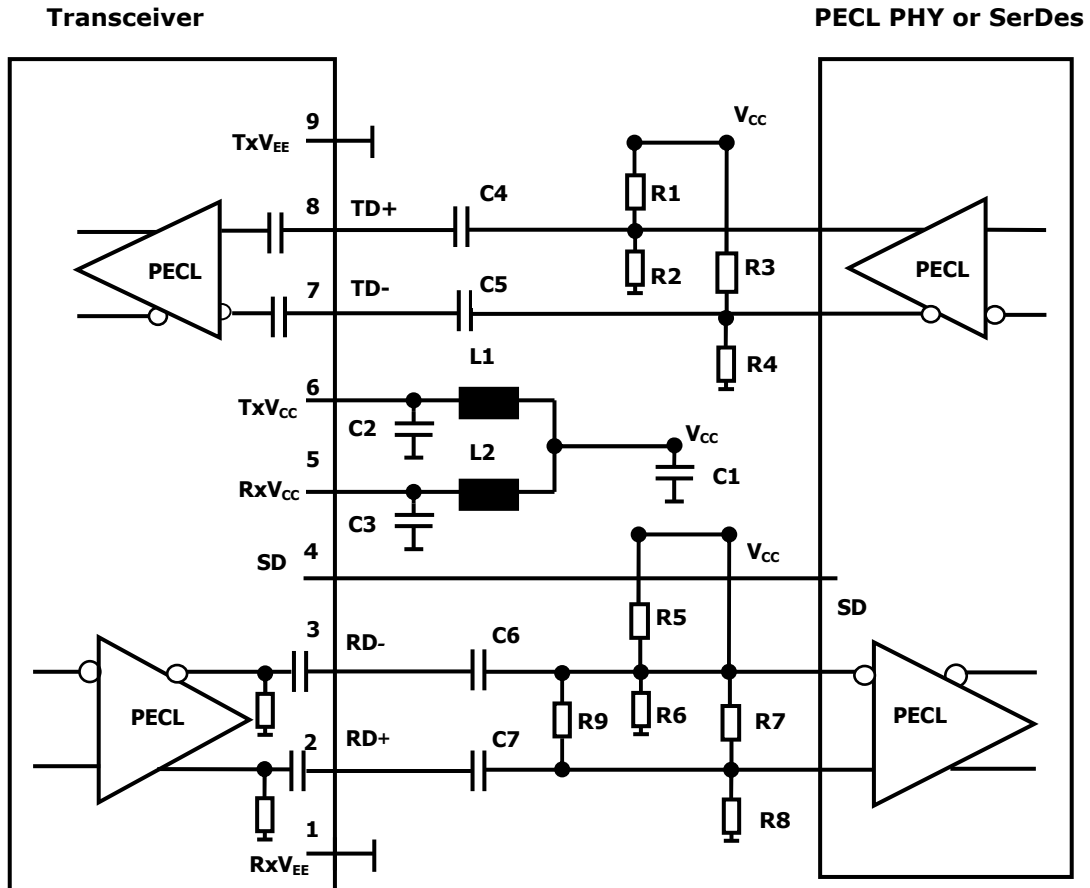
=130 ohm @5V (Depends on SerDes chip used.)

C1=10uF

C2/C3=0.1uF

L1=L2=1uH

TX AC Coupling / RX AC Coupling, TTL Signal Detect



Notes:

R1/R3/R5/R7/R9=130 ohm @3.3V (Depends on SerDes chip used.)

=82 ohm @5V (Depends on SerDes chip used.)

R2/R4/R6/R8/R10=82 ohm @3.3V (Depends on SerDes chip used.)

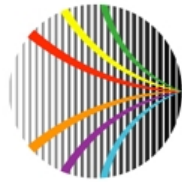
=130 ohm@5V (Depends on SerDes chip used.)

R9 =100 ohm (Depends on SerDes chip used.)

C1=10uF

C2/C3/C4/C5/C6/C7=0.1uF

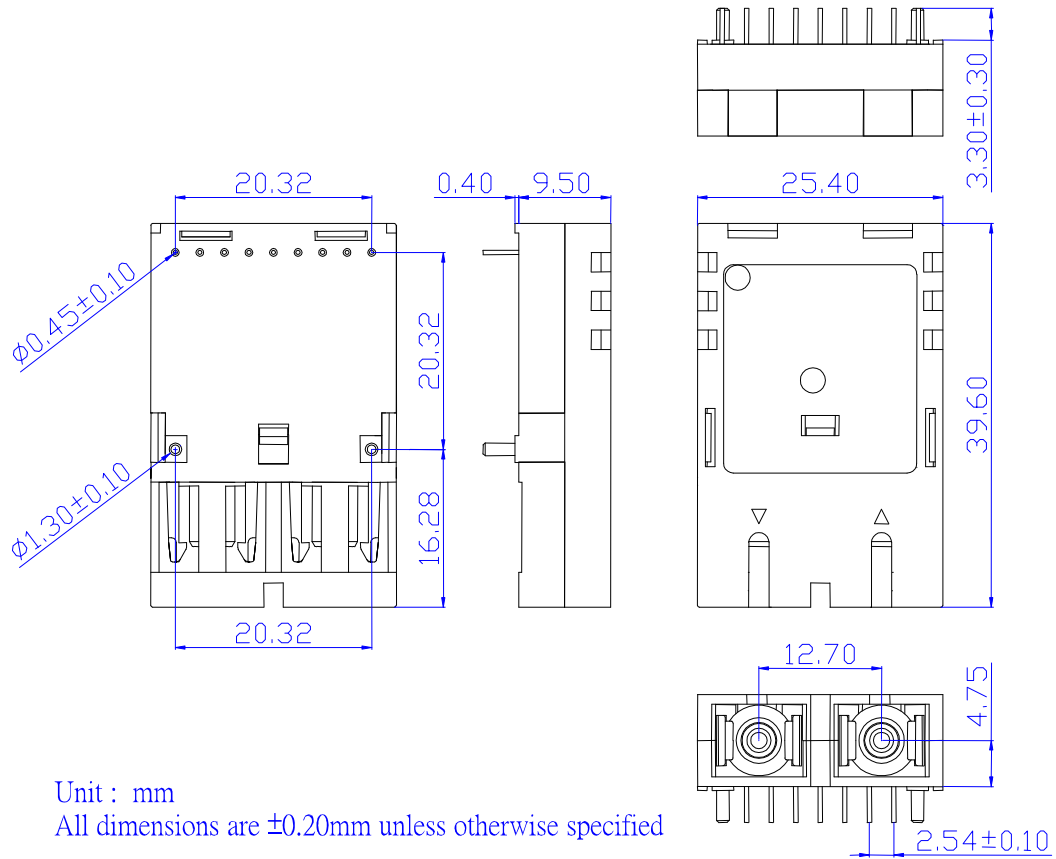
L1=L2=1uH

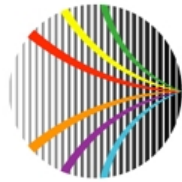


AXCEN
PHOTONICS CORPORATION

Mechanical Dimensions (Units in mm)

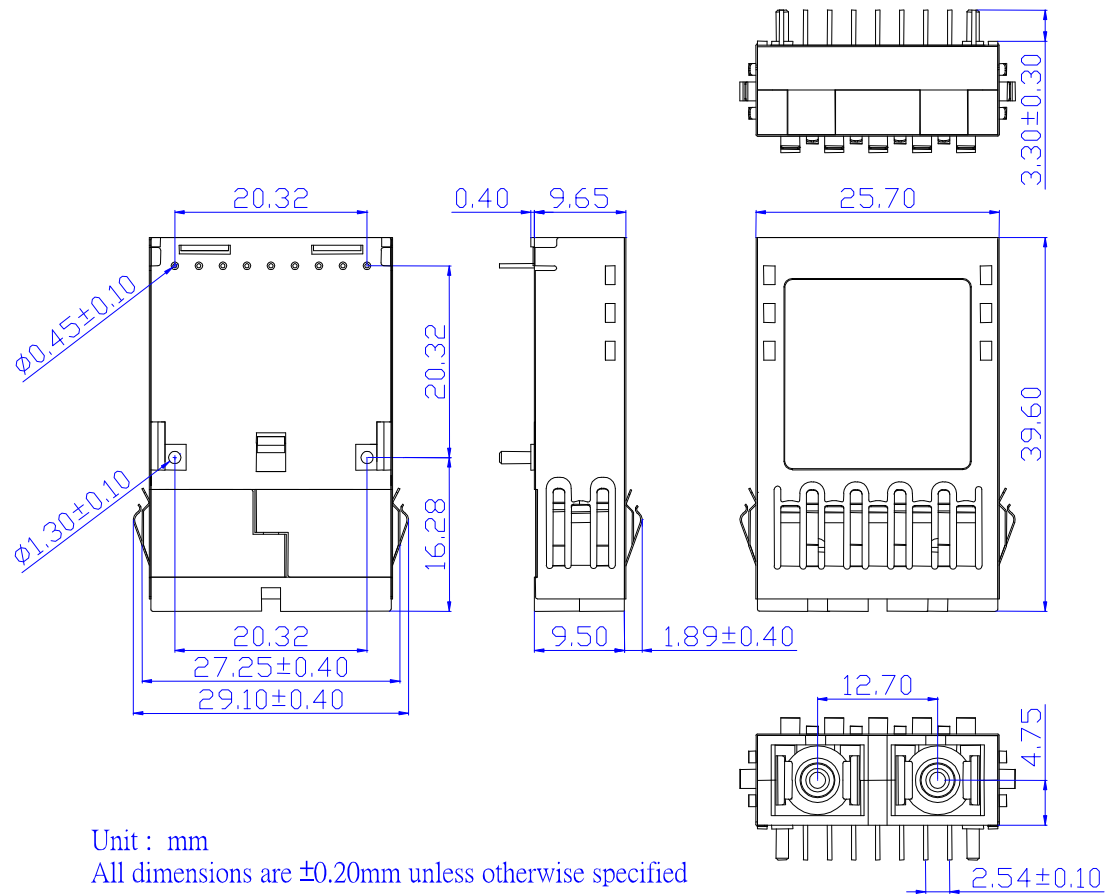
No Clipper



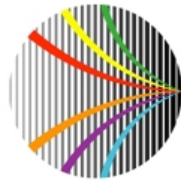


Mechanical Dimensions (Units in mm)

Backward Clipper

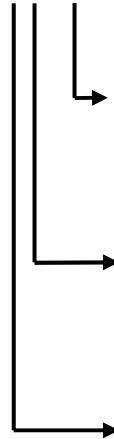


Unit : mm
All dimensions are ± 0.20 mm unless otherwise specified



Ordering Information

AXGE-3551-xyDz



Operating temperature

- 1: 0~70°C
- 3: -40~85°C

I/O Interface

- 1: TX DC coupling / RX DC coupling, PECL Signal Detect
- 5: TX AC coupling / RX AC coupling, TTL Signal Detect

Case

- 0: No Clipper
- 1: Backward Clipper

Model No.	Wavelength	LD	Case	I/O	SD	Link	Temp.
AXGE-3551-01D1	1550nm	DFB	No Clipper	DC/DC	PECL	60km	0~70°C
AXGE-3551-01D3	1550nm	DFB	No Clipper	DC/DC	PECL	60km	-40~85°C
AXGE-3551-05D1	1550nm	DFB	No Clipper	AC/AC	TTL	60km	0~70°C
AXGE-3551-05D3	1550nm	DFB	No Clipper	AC/AC	TTL	60km	-40~85°C
AXGE-3551-11D1	1550nm	DFB	Bkwd Clipper	DC/DC	PECL	60km	0~70°C
AXGE-3551-11D3	1550nm	DFB	Bkwd Clipper	DC/DC	PECL	60km	-40~85°C
AXGE-3551-15D1	1550nm	DFB	Bkwd Clipper	AC/AC	TTL	60km	0~70°C
AXGE-3551-15D3	1550nm	DFB	Bkwd Clipper	AC/AC	TTL	60km	-40~85°C

NOTE:

Distances are indicative only. Attenuation of 0.25 dB/km is used for the link length calculations. To calculate a more precise link budget based on specific conditions in your application, please refer to the Optical Specifications in Page#3.