

AXCEN

PHOTONICS CORPORATION

AXFE-1311-0K3x 125Mbps Single-mode 1310nm, 10km 1x9 ST Transceiver



Product Overview

The AXFE-1311-0K3x transceivers are specifically designed for the high performance integrated duplex data link over single-mode optical fiber. These transceiver modules are compliant with the ST Multisource Agreement (MSA). These modules are designed to provide 100Base-LX10 compliant in Fast Ethernet applications.

The AXFE-1311-0K3x transceivers using a long wavelength (1310nm) light source enable data transmission up to 10km on a single-mode (9/125 μ m) optical fiber.

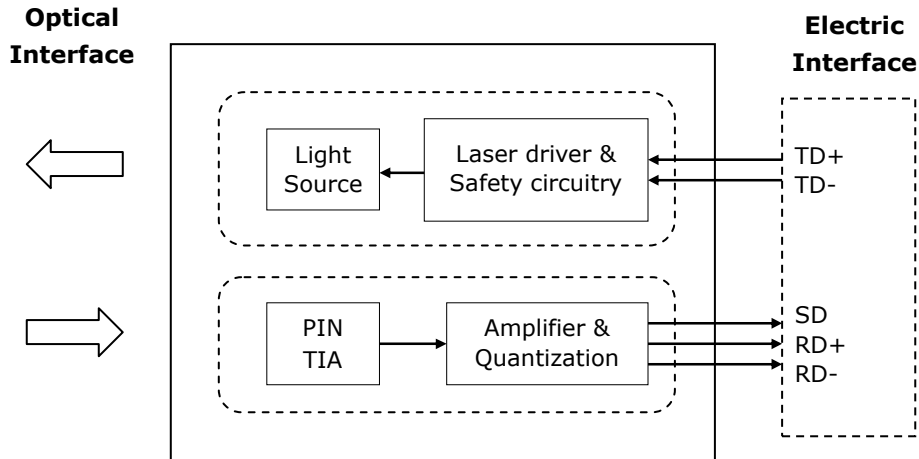
Features

- **Duplex ST receptacle**
- **125Mbps IEEE802.3ah 100BASE-LX10 compliant**
- **Single +3.3~5V power supply operation**
- **DC coupled PECL level inputs and outputs**
- **PECL signal detect output**
- **Class 1 laser safety standard IEC 60825 compliant**
- **10 km link on a single-mode fiber**
- **Low power dissipation**

Applications

- **Fast Ethernet**
- **FDDI**

Block diagram

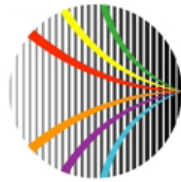


Absolute Maximum Ratings

Parameter	Symbol	Min.	Max.	Unit	Note
Storage Temperature	T_S	-40	+85	°C	
Supply Voltage	V_{CCT} V_{CCR}	-0.5	+6.0	V	
Storage Relative Humidity	RH	5	95	%	
Lead Soldering Temperature	T_{Is}		260	°C	
Lead Soldering Time	t_{Is}		10	sec	

Recommended Operating Conditions

Parameter	Symbol	Min.	Typ.	Max.	Unit	Note
Case Operating Temperature	T_C	0		70	°C	Refer to ordering information
		-40		85		
Supply Voltage	V_{CC}	3.1	3.3	3.5	V	
		4.75	5.0	5.25		
Supply Current	$I_{TX} + I_{RX}$		150	300	mA	



Transmitter Electro-Optical Interface

Parameter	Symbol	Min.	Typ.	Max.	Unit	Note
Data Input Voltage – Low	V_L-V_{CC}	-1.81		-1.475	V	
Data Input Voltage - High	V_H-V_{CC}	-1.165		-0.880	V	
Optical Output Power	P_O	-15		-8	dBm	
Optical Extinction Ratio	E_R	5			dB	
Center Wavelength	λ_C	1260		1360	nm	
Spectral Width (RMS)	$\Delta\lambda$			4	nm	
Optical Rise Time	t_r			2.0	ns	1
Optical Fall Time	t_f			2.0	ns	1

Notes:

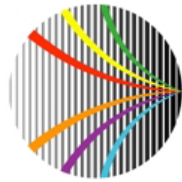
1. 10% to 90% value

Receiver Electro-Optical Characteristics

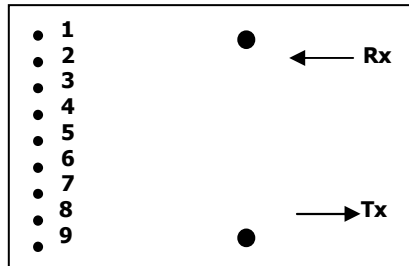
Parameter	Symbol	Min.	Typ.	Max.	Unit	Note
Receiver Overload	P_{INMAX}	-8			dBm	1
Receiver Sensitivity	P_{INMIN}			-25	dBm	1
Operating Center Wavelength	λ_C	1260		1360	nm	
Receiver Signal Detect – High	P_{SDA}			-25	dBm	
Receiver Signal Detect – Low	P_{SDD}	-45			dBm	
Receiver Signal Detect - Hysteresis	P_{SDH}	0.5			dB	
Receiver Signal Detect Voltage - Low	$V_{SDL}-V_{CC}$	-2		-1.58	V	
Receiver Signal Detect Voltage - High	$V_{SDH}-V_{CC}$	-1.1		-0.74	V	

Notes:

1. With BER better than or equal to 1×10^{-12} , measured in the center of the eye opening with $2^7 - 1$ PRBS



Pin Description

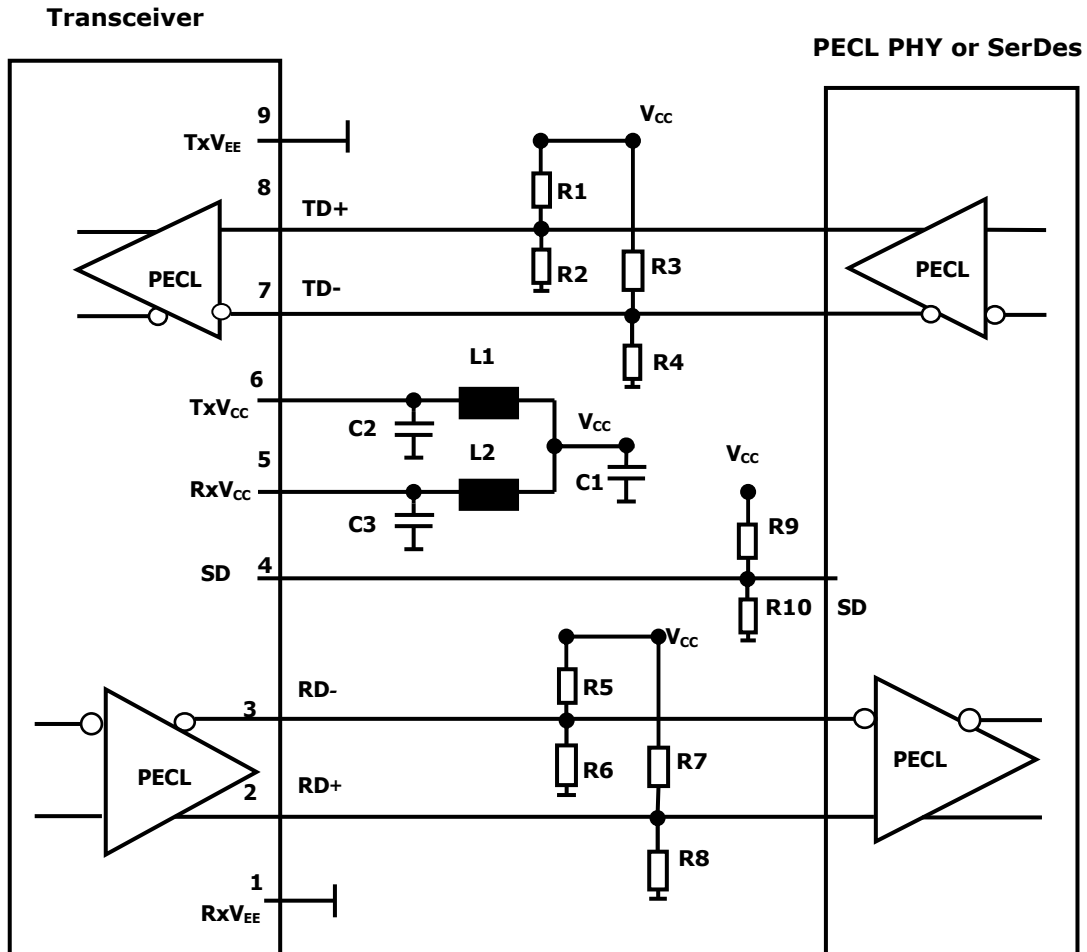


Top View

Pin No	Pin Name	Function	Notes
1	RxV _{EE}	Receiver signal ground	
2	RD+	Receiver data out	
3	RD-	Receiver data out bar	
4	SD	Signal detect	
5	RxV _{CC}	Receiver power supply	
6	TxV _{CC}	Transmitter power supply	
7	TD-	Transmitter data in bar	
8	TD+	Transmitter data in	
9	TxV _{EE}	Transmitter signal ground	

Recommended Interface Circuit

TX DC Coupling / RX DC Coupling, PECL Signal Detect



Notes:

R1/R3/R5/R7/R9=130 ohm @3.3V (Depends on SerDes chip used.)

=82 ohm @5V (Depends on SerDes chip used.)

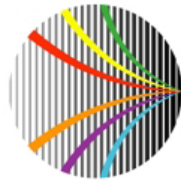
R2/R4/R6/R8/R10=82 ohm @3.3V (Depends on SerDes chip used.)

=130 ohm @5V (Depends on SerDes chip used.)

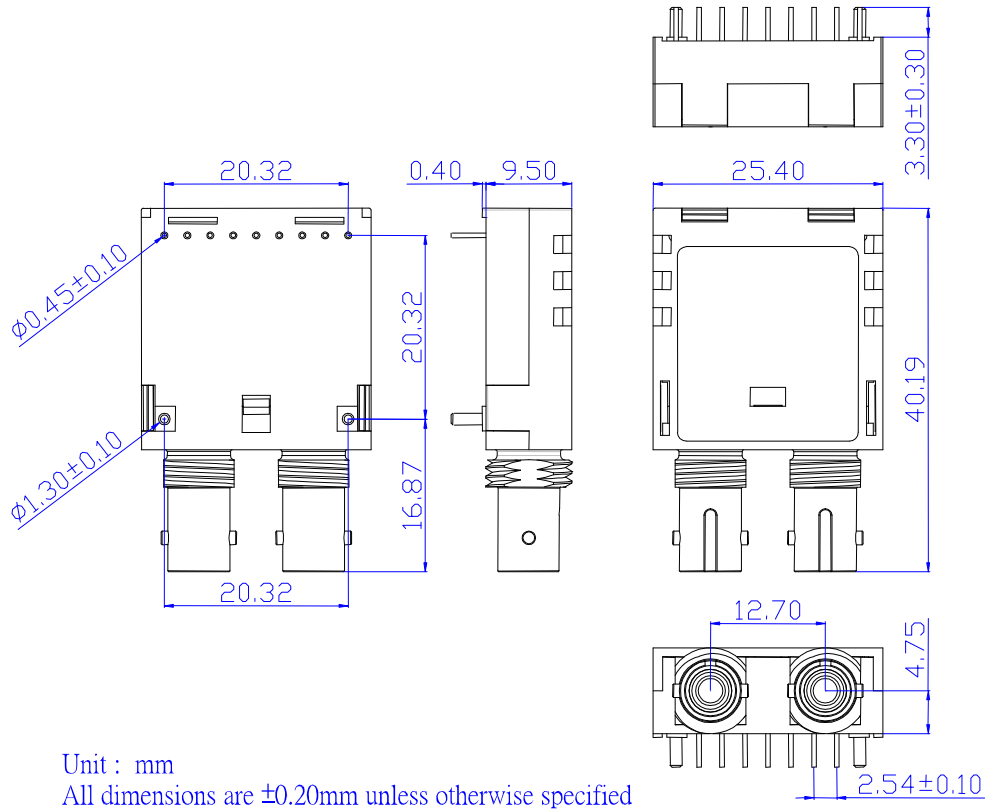
C1=10uF

C2/C3=0.1uF

L1/L2=1uH



Mechanical Dimensions (Units in mm)



Ordering Information

AXFE-1311-0K3x



Operating Temperature

- 6: 0~70°C
- 7: -40~85°C

Model No.	Wavelength	LD	I/O	SD	Link	Temp.
AXFE-1311-0K36	1310nm	FP	DC/DC	PECL	10km	0~70°C
AXFE-1311-0K37	1310nm	FP	DC/DC	PECL	10km	-40~85°C