

AXCEN

PHOTONICS CORPORATION

AXXE-3386 10Gbps Single Mode 1310nm DFB, SFP+ Transceiver



Product Overview

The AXXE-3386 is specifically designed for the high performance integrated duplex data link over single mode optical fiber. This transceiver module is compliant with the Small Form-factor Pluggable Plus (SFP+) Multi-Source Agreement (SFF-8432). An enhanced Digital Diagnostic Monitoring Interface has been incorporated into the Axcen SFP Transceiver. Real time monitors of temperature, supply voltage, laser bias current, laser average output power and received output power are provided, based on the SFF-8472.

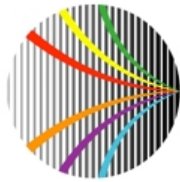
The AXXE-3386 SFP+ transceivers using a 1310nm long wavelength DFB-LD enable data transmission up to 10km on a single mode optical fiber.

Features

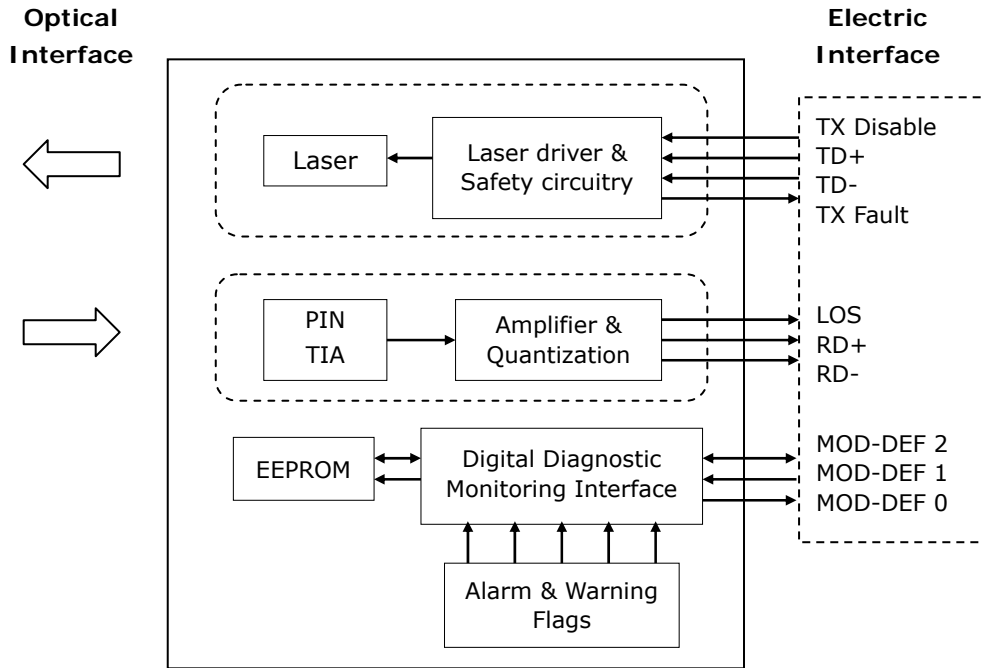
- SFP+ Multi-Source Agreement compliant
- LC duplex receptacle
- 10Gbps IEEE 802.3ae 10GBASE-LR and 10GBASE-LW compliant
- SFF-8472 diagnostic monitoring interface for optical transceivers
- Serial ID functionality support
- Alarms and warnings to indicate status of real time monitors

Applications

- 8.5G Fibre Channel
- 10 Gigabit Ethernet



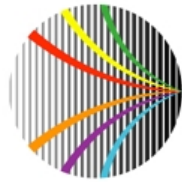
Block diagram



The transceiver is fundamentally consisted by two parts: transmitter and receiver. The transmitter features a TTL logic level Disable signal and a Fault indicator. The receiver features a TTL logic Loss of Signal (LOS) detection. The serial ID interface defines a 256-byte memory map in EEPROM, accessible over a 2 wire, serial interface at the 8 bit address 1010000X (A0h). The Digital Diagnostic Monitoring Interface makes use of the 8 bit address 1010001X (A2h), so the originally defined serial ID memory map remains unchanged and is therefore backward compatible. The detailed signal descriptions are listed in the following sections.

Absolute Maximum Ratings

Parameter	Symbol	Min.	Max.	Unit	Note
Storage Temperature	T_s	-40	+85	$^{\circ}\text{C}$	
Supply Voltage	V_{ccT} V_{ccR}	-0.5	4.5	V	
Storage Relative Humidity	RH	5	95	%	



Recommended Operating Conditions

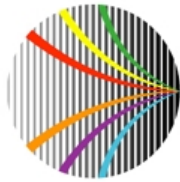
Parameter	Symbol	Min.	Typ.	Max.	Unit	Note
Case Operating Temperature	T_C	0		70	$^{\circ}C$	
Supply Voltage	V_{CC}	3.14	3.3	3.47	V	
Supply Current	$I_{TX} + I_{RX}$		180	300	mA	

Transmitter Electro-Optical Interface

Parameter	Symbol	Min.	Typ.	Max.	Unit	Note
Transmitter Differential Input Voltage	TD +/-	150	900	1600	mVp-p	
Tx_Fault - High	V_{Fault_H}	2		V_{CC}	V	
Tx_Fault - Low	V_{Fault_L}	V_{EE}		$V_{EE}+0.8$	V	
Tx_Disable - High	$V_{Disable_H}$	2		V_{CC}	V	
Tx_Disable - Low	$V_{Disable_L}$	V_{EE}		$V_{EE}+0.8$	V	
Average Launch Power	P_O	-8.2		0.5	dBm	1
Launch Power in OMA	P_{O_OMA}	-5.2			dBm	1
Optical Extinction Ratio	E_R	3.5			dB	
Center Wavelength	λ_C	1260		1355	nm	
Side Mode Suppression Ratio	SMSR	30			dB	
Relative Intensity Noise	RIN_{12OMA}			-128	dB/Hz	

Notes:

1. Coupling into a 9/125 μ m single mode fiber.

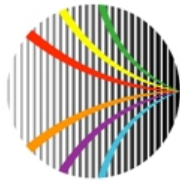


Receiver Electro-Optical Interface

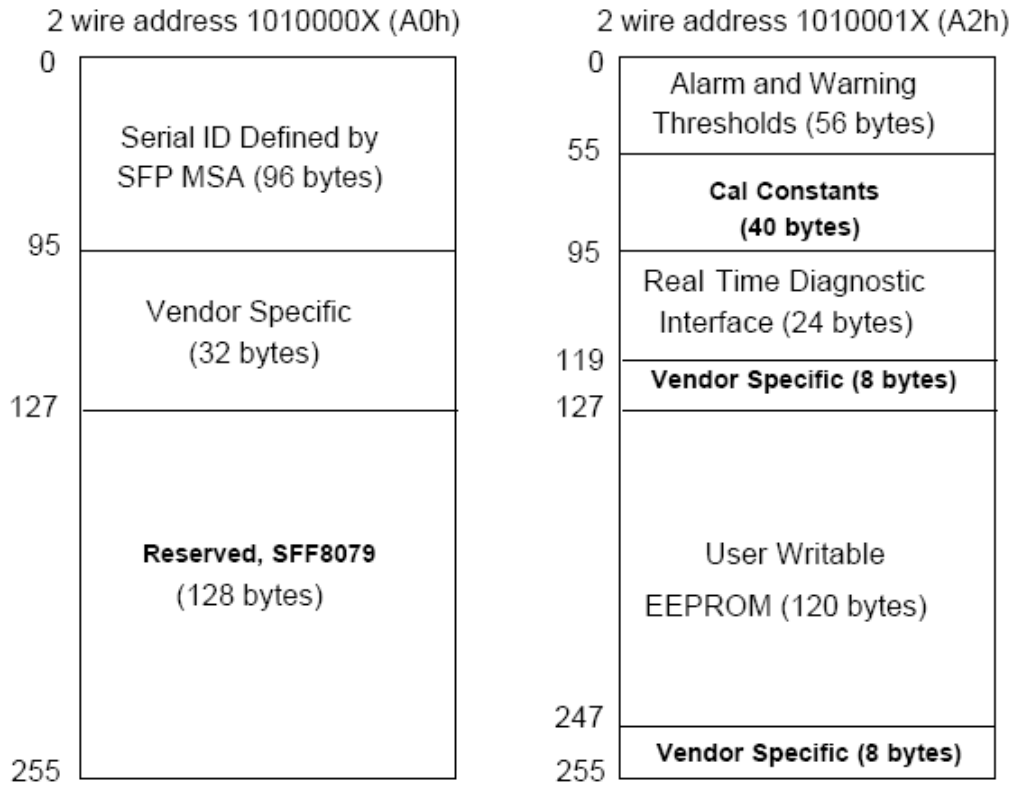
Parameter	Symbol	Min.	Typ.	Max.	Unit	Note
Receiver Differential Output Voltage	RD +/-	300		1000	mVp-p	
Average Receiver Power	P _{IN}	-14.4		0.5	dBm	1
Receiver Sensitivity in OMA	P _{IN,OMA}			-12.6	dBm	1
Operating Center Wavelength	λ_c	1260		1355	nm	
Receiver Reflectance	RL			-12	dB	
Receiver Loss of Signal - TTL Low	P _{RX_LOSD}			-17	dBm	
Receiver Loss of Signal - TTL High	P _{RX_LOSA}	-30			dBm	
Receiver Loss of Signal - Hysteresis	P _{RX_LOSH}	0.5			dB	

Notes:

1. With BER better than or equal to 1×10^{-12} , measured in the center of the eye opening with PRBS 2³¹ -1

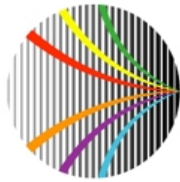


Digital Diagnostic Memory Map



Digital Diagnostic Monitoring Characteristics

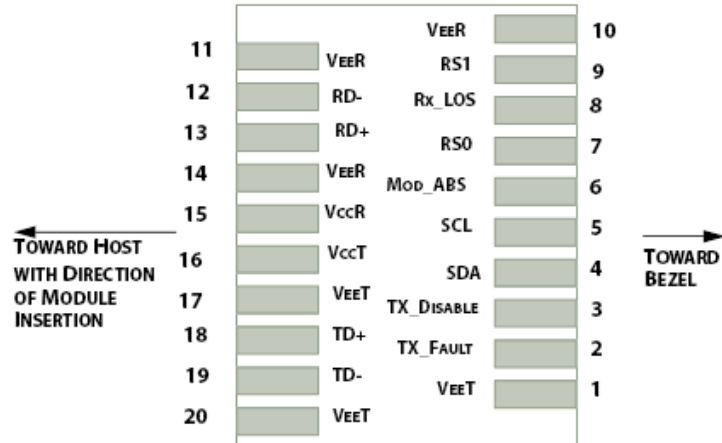
Parameter	Symbol	Accuracy	Unit	Note
Transceiver Temperature	T_{INT}	± 3	$^{\circ}C$	
Transceiver Supply Voltage	V_{INT}	± 3	%	
TX Bias Current	I_{BIAS}	± 10	%	
TX Output Power	P_{TX}	± 3	dB	
RX Received Optical Power	P_{RX}	± 3	dB	



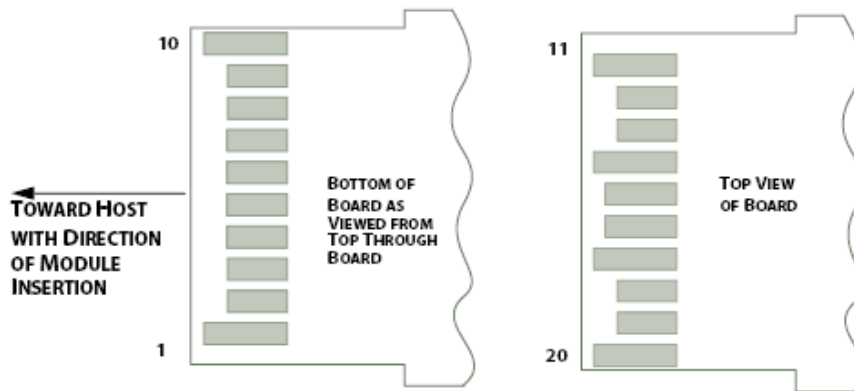
AXCEN

PHOTONICS CORPORATION

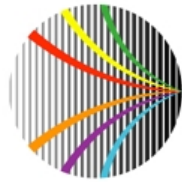
Pin Description



Host PCB SFP+ pad assignment top view

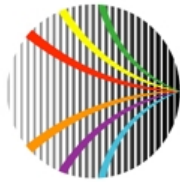


SFP+ module contact assignment



SFP+ Module and Host Electrical contact definition

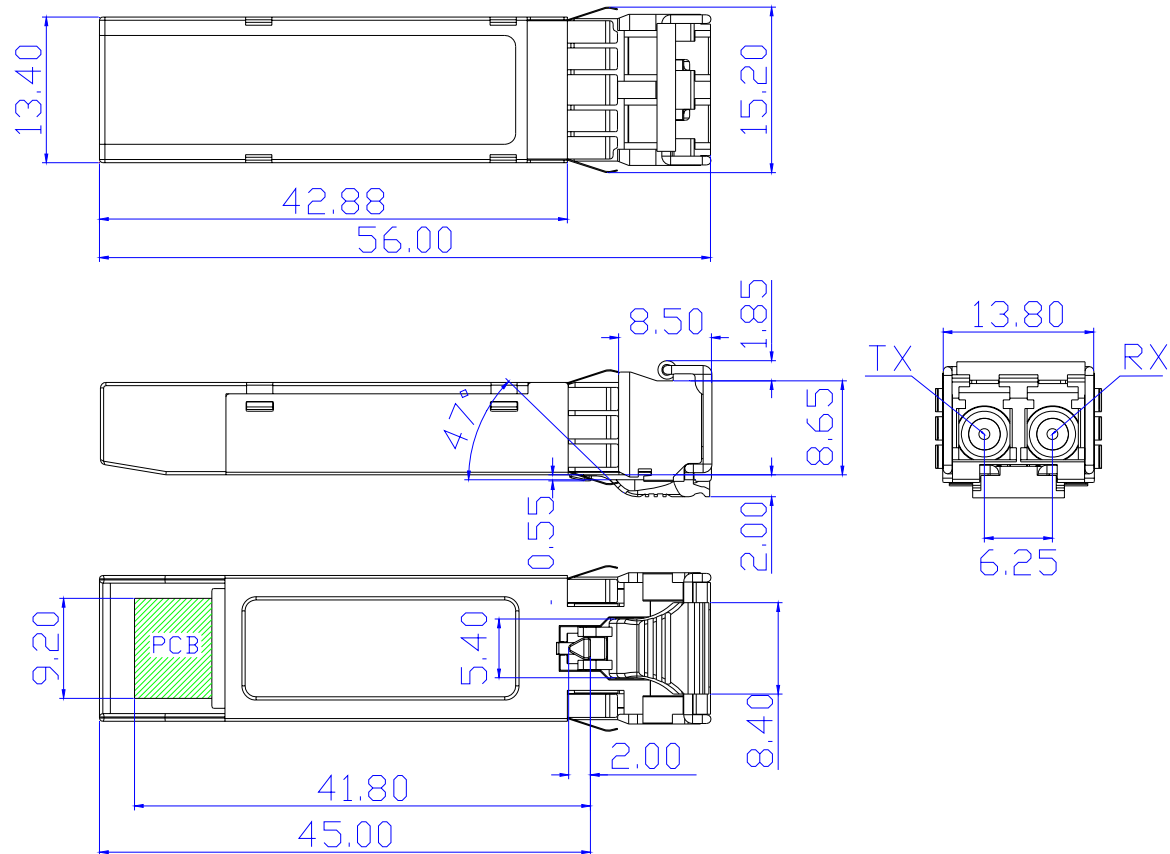
Contacts	Logic	Symbol	Power Sequence Order	Name / Description
1		VeeT	1st	Module Transmitter Ground
2	LVTTTL-O	TX_Fault	3rd	Module Transmitter Fault
3	LVTTTL-I	TX_Disable	3rd	Transmitter Disable; Turns off transmitter laser output
4	LVTTTL-I/O	SDA	3rd	2-wire Serial Interface Data Line (Same as MOD-DEF2 in the INF-8074i)
5	LVTTTL-I/O	SCL	3rd	2-wire Serial Interface Clock (Same as MOD-DEF1 in the INF-8074i)
6		Mod_ABS	3rd	Module Absent, connected to VeeT or VeeR in the module
7	LVTTTL-I	RS0	3rd	Rate Select 0, optionally controls SFP+ module receiver. When high input signaling rate > 4.25 GBd and when low input signaling rate \leq 4.25 GBd.
8	LVTTTL-O	Rx_LOS	3rd	Receiver Loss of Signal Indication (In FC designated as Rx_LOS and in Ethernet designated as Signal Detect Bar)
9	LVTTTL-I	RS1	3rd	Rate Select 1, optionally controls SFP+ transmitter. When high input signaling rate > 4.25 GBd and when low input signaling rate \leq 4.25 GBd.
10		VeeR	1st	Module Receiver Ground
11		VeeR	1st	Module Receiver Ground
12	CML-O	RD-	3rd	Receiver Inverted Data Output
13	CML-O	RD+	3rd	Receiver Non-Inverted Data Output
14		VeeR	1st	Module Receiver Ground
15		VccR	2nd	Module Receiver 3.3V Supply
16		VccT	2nd	Module Transmitter 3.3V Supply
17		VeeT	1st	Module Transmitter Ground
18	CML-I	TD+	3rd	Transmitter Non-Inverted Data Input
19	CML-I	TD-	3rd	Transmitter Inverted Data Input
20		VeeT	1st	Module Transmitter Ground



AXCEN

PHOTONICS CORPORATION

Mechanical Dimensions (Units in mm)



Unit : mm
 All dimensions are ± 0.15 mm unless otherwise specified

Ordering Information

AXXE-3386-0531

Model No.	Wavelength	LD	I/O	SD	Link	Temp.
AXXE-3386-0531	1310nm	DFB	AC/AC	TTL	10km	0~70°C