

# AXCEN

PHOTONICS CORPORATION

## **AXFD-E454 1.25Gbps GE-PON 1000Base-PX20 SFP OLT Transceiver with Digital Diagnostic**



### **Product Overview**

The AXFD-E454 is specifically designed for the high performance integrated duplex data link over a single optical fiber. These transceiver modules are compliant with the Small Form-factor Pluggable (SFP) Multisource Agreement (MSA). An enhanced Digital Diagnostic Monitoring Interface has been incorporated into the Axcen SFP Transceiver. Real time monitors of temperature, supply voltage, laser bias current, laser average output power and received output power are provided, based on the SFF-8472.

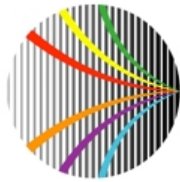
The AXFD-E454 GE-PON OLT SFP transceivers is based on the IEEE 802.3ah 1000BASE-PX20 specification for bi-directional communication over a single fiber and incorporates a high performance 1490 nm continuous mode DFB transmitter and 1310 nm burst mode APD receiver.

### **Features**

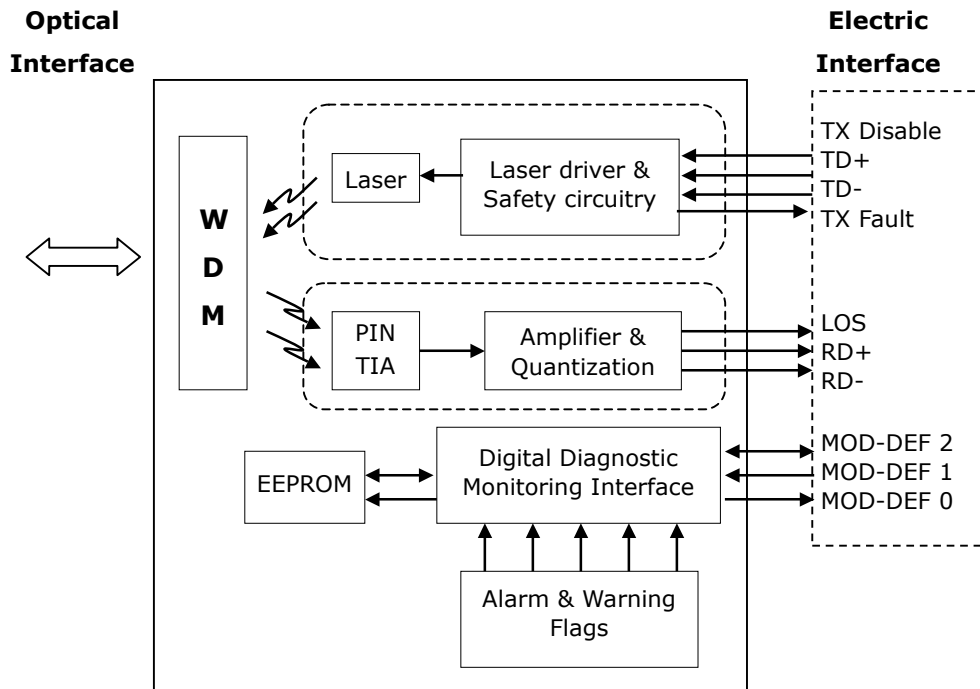
- **1.25G bi-direction single-fiber link**
- **Single SC receptacle**
- **1490nm Continuous-Mode Transmitter with DFB Laser, 1310nm Burst-Mode Receiver with APD-TIA**
- **20km point to multi-point transmission**
- **Resetless BM Receiver Design**
- **IEEE 802.3ah 1000BASE-PX20-D compliant**
- **SFP Multi-Source Agreement compliant**
- **Serial ID functionality support**
- **Class 1 laser safety standard IEC 825 compliant**

### **Applications**

- **Gigabit Ethernet PON System**



## Block diagram



The transceiver is fundamentally consisted by two parts: transmitter and receiver. The transmitter features a TTL logic level Disable signal and a Fault indicator. The receiver features a TTL logic Loss of Signal (LOS) detection. The serial ID interface defines a 256-byte memory map in EEPROM, accessible over a 2 wire, serial interface at the 8 bit address 1010000X (A0h). The Digital Diagnostic Monitoring Interface makes use of the 8 bit address 1010001X (A2h), so the originally defined serial ID memory map remains unchanged and is therefore backward compatible. The detailed signal descriptions are listed in the following sections.

## Absolute Maximum Ratings

Parameter	Symbol	Min.	Max.	Unit	Note
Storage Temperature	T <sub>s</sub>	-40	85	°C	
Supply Voltage	V <sub>CC</sub>	-0.5	4.5	V	
Storage Relative Humidity	RH	5	95	%	



## Recommended Operating Conditions

Parameter	Symbol	Min.	Typ.	Max.	Unit	Note
Case Operating Temperature	$T_C$	0		70	$^{\circ}\text{C}$	
Supply Voltage	$V_{CCT}$ $V_{CCR}$	3.1	3.3	3.5	V	
Supply Current	$I_{TX} + I_{RX}$		150	300	mA	

## Transmitter Electro-Optical Interface

Parameter	Symbol	Min.	Typ.	Max.	Unit	Note
Transmitter Differential Input Voltage	TD +/-	400		2400	mV	
Optical Output Power	$P_o$	2		7	dBm	1
Optical Extinction Ratio	$E_R$	9			dB	
Center Wavelength	$\lambda_c$	1480	1490	1500	nm	
Spectral Width (-20dB)	$\Delta\lambda$			1	nm	
Side Mode Suppression Ratio	SMSR	30			dB	
Optical Rise / Fall Time	$t_r / t_f$			260	ps	
Relative Intensity Noise	RIN			-115	dB/Hz	
Total Contributed Jitter	TJ			227	ps	
Tx_Fault - High	$V_{Fault\_H}$	2		$V_{CCT}$	V	
Tx_Fault - Low	$V_{Fault\_L}$	$V_{EE T}$		$V_{EE T} + 0.8$	V	
Tx_Disable - High	$V_{Disable\_H}$	2		$V_{CC T}$	V	
Tx_Disable - Low	$V_{Disable\_L}$	$V_{EE T}$		$V_{EE T} + 0.8$	V	

### Notes:

1. Coupling into a 9/125 $\mu\text{m}$  single-mode fiber

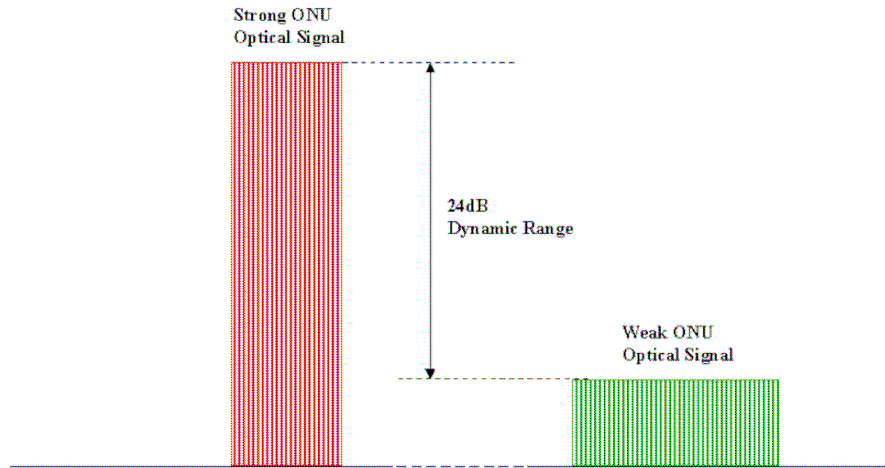
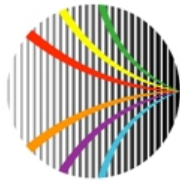


## Receiver Electro-Optical Interface

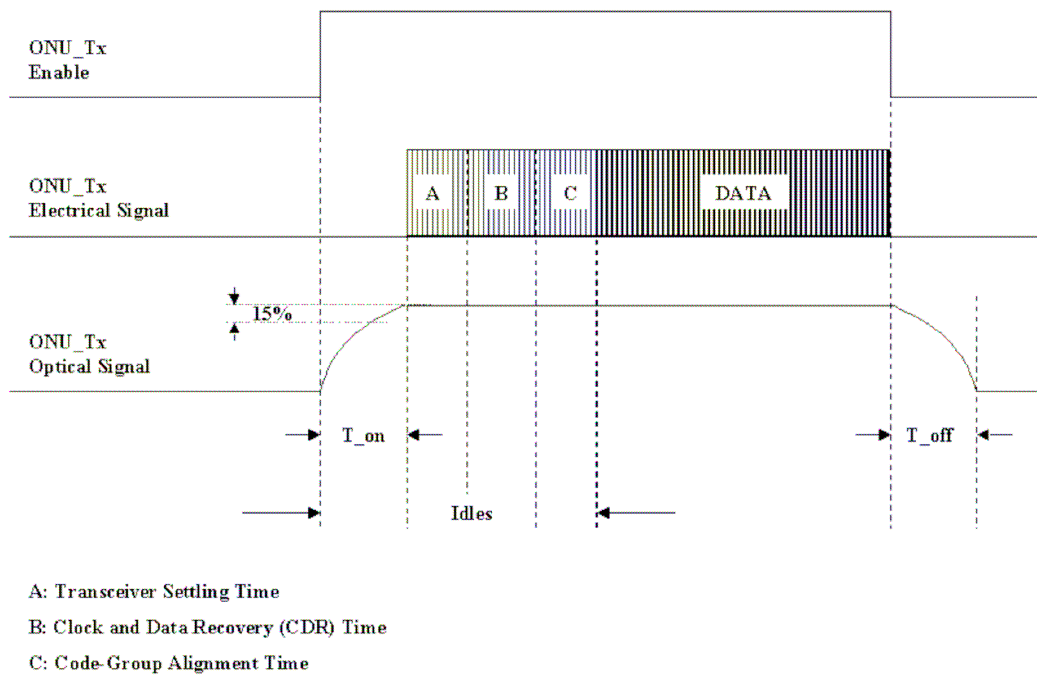
Parameter	Symbol	Min.	Typ.	Max.	Unit	Note
Receiver Differential Output Voltage	RD+/-	400		2000	mV	
Saturation Optical Power	P <sub>IN</sub> MAX	-6			dBm	1
Receiver Sensitivity	P <sub>IN</sub> MIN			-30	dBm	1
Receiver Settling Time	T <sub>SETTLING</sub>			400	ns	2
Dynamic Range		-30		-6	dBm	3
Operating Center Wavelength	λ <sub>c</sub>	1260		1360	nm	
Return Loss	RL	12			dB	
Receiver Settling Time	T <sub>SETTLING</sub>			400	ns	
Receiver Loss of Signal-TTL Low	P <sub>RX_LOSD</sub>			-30	dBm	
Receiver Loss of Signal-TTL High	P <sub>RX_LOSA</sub>	-45			dBm	
Receiver Loss of Signal Hysteresis	P <sub>RX_LOSH</sub>	0.5			dB	

### Notes:

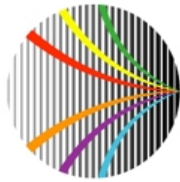
1. With BER better than or equal to  $1 \times 10^{-12}$ , measured in the center of the eye opening with PRBS  $2^7 - 1$
2. See Figure 1
3. See Figure 2



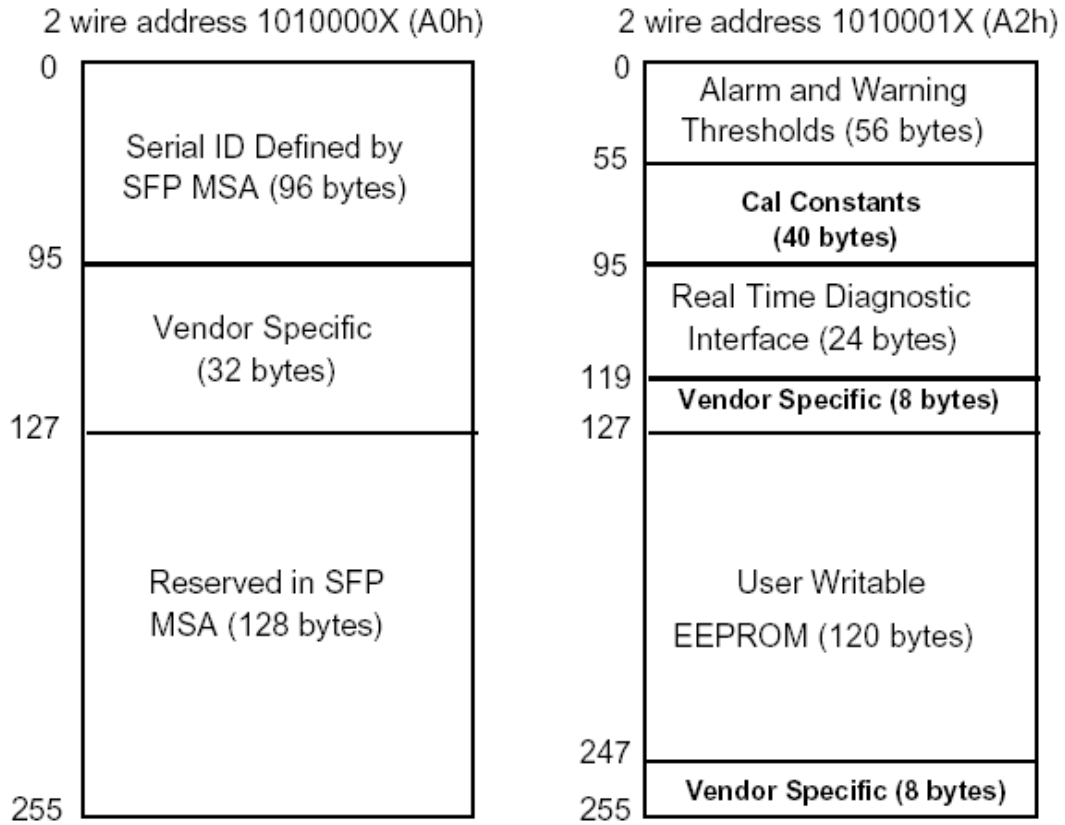
**Figure 1**



**Figure 2**

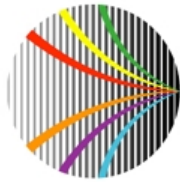


## Digital Diagnostic Memory Map

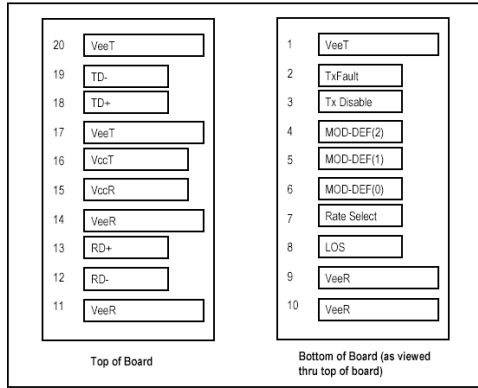


## Digital Diagnostic Monitoring Characteristics

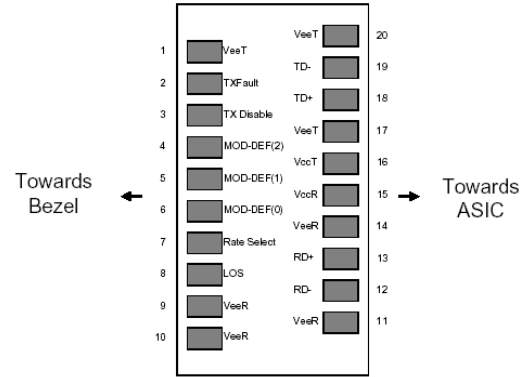
Parameter	Symbol	Accuracy	Unit	Note
Transceiver Temperature	$T_{INT}$	$\pm 3$	$^{\circ}C$	
Transceiver Supply Voltage	$V_{INT}$	$\pm 3$	%	
TX Bias Current	$I_{BIAS}$	$\pm 10$	%	
TX Output Power	$P_{TX}$	$\pm 3$	dB	
RX Received Optical Power	$P_{RX}$	$\pm 3$	dB	



## Pin Description

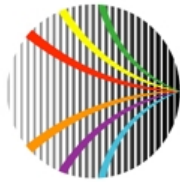


**SFP Transceiver Electric Pad Layout**



**Diagram of Host Board Connector Block Pin Numbers and Names**

Pin No.	Pin Name	Function	Plug Seq.	Notes
1	VeeT	Transmitter Ground	1	
2	TX Fault	Transmitter Fault Indication	3	1
3	TX Disable	Transmitter Disable	3	2
4	MOD-DEF 2	Module Definition 2	3	3
5	MOD-DEF 1	Module Definition 1	3	3
6	MOD-DEF 0	Module Definition 0	3	3
7	Rate Select	Select between full or reduced receiver bandwidth	3	4
8	LOS	Loss of Signal	3	TTL, 5
9	VeeR	Receiver Ground	1	6
10	VeeR	Receiver Ground	1	6
11	VeeR	Receiver Ground	1	6
12	RD-	Inv. Receiver Data Out	3	AC coupling, 7
13	RD+	Receiver Data Out	3	AC coupling, 7
14	VeeR	Receiver Ground	1	6
15	VccR	Receiver Power	2	8
16	VccT	Transmitter Power	2	8
17	VeeT	Transmitter Ground	1	6
18	TD+	Transmitter Data In	3	AC coupling, 9
19	TD-	Inv. Transmitter Data In	3	AC coupling, 9
20	VeeT	Transmitter Ground	1	6



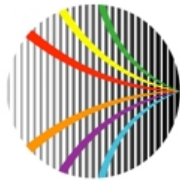
# AXCEN

PHOTONICS CORPORATION

## Notes:

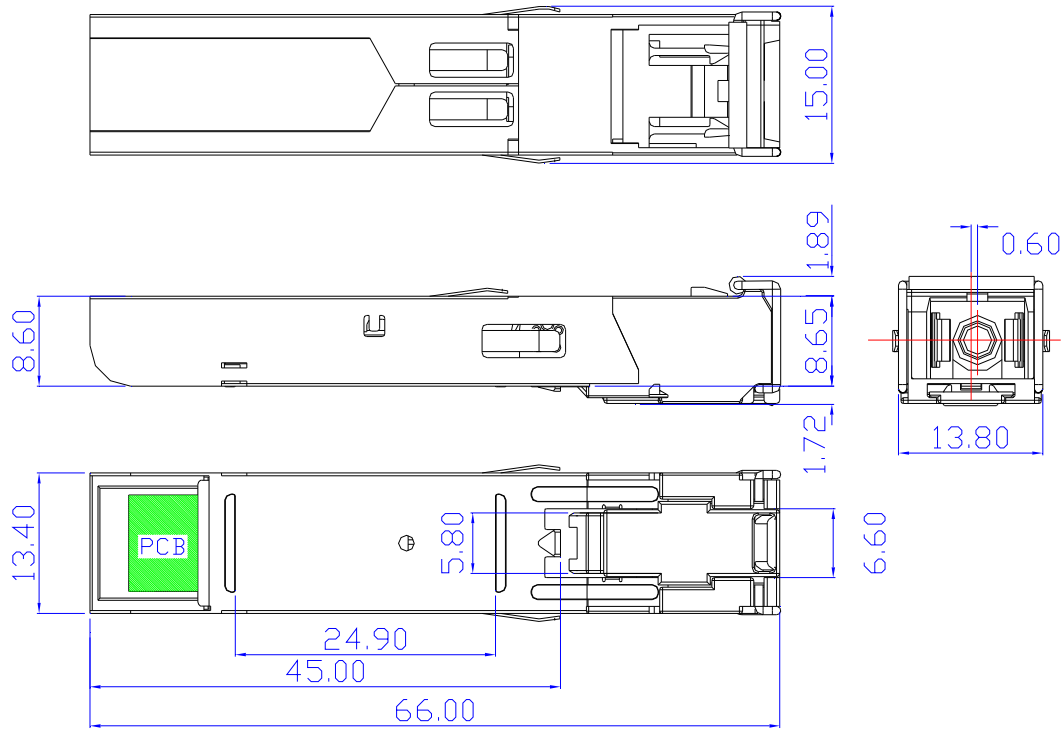
Plug Seq.: Pin engagement sequence during hot plugging.

1. TX Fault is an open collector/drain output, which should be pulled up with a 4.7K – 10K $\Omega$  resistor on the host board. Pull up voltage between 2.0V and VccT, R+0.3V. When high, output indicates a laser fault of some kind. Low indicates normal operation. In the low state, the output will be pulled to < 0.8V.
2. TX disable is an input that is used to shut down the transmitter optical output. It is pulled up within the module with a 4.7 – 10 K $\Omega$  resistor. Its states are:
  - Low (0 – 0.8V): Transmitter on
  - (>0.8, < 2.0V): Undefined
  - High (2.0 – 3.465V): Transmitter Disabled
  - Open: Transmitter Disabled
3. Mod-Def 0,1,2. These are the module definition pins. They should be pulled up with a 4.7K - 10K $\Omega$  resistor on the host board. The pull-up voltage shall be VccT or VccR
  - Mod-Def 0 is grounded by the module to indicate that the module is present
  - Mod-Def 1 is the clock line of two wire serial interface for serial ID
  - Mod-Def 2 is the data line of two wire serial interface for serial ID
4. This is an optional input used to control the receiver bandwidth for compatibility with multiple data rates (most likely Fiber Channel 1x and 2x Rates). If implemented, the input will be internally pulled down with > 30k $\Omega$  resistor. The input states are:
  - Low (0 - 0.8V): Reduced Bandwidth
  - (>0.8, < 2.0V): Undefined
  - High (2.0 V -3.465V): Full Bandwidth
  - Open: Reduced Bandwidth
5. LOS (Loss of Signal) is an open collector/drain output, which should be pulled up with a 4.7K -10K $\Omega$  resistor. Pull up voltage between 2.0V and VccT, R+0.3V. When high, this output indicates the received optical power is below the worst-case receiver sensitivity (as defined by the standard in use). Low indicates normal operation. In the low state, the output will be pulled to < 0.8V.
6. VeeR and VeeT may be internally connected within the SFP module.
7. RD-/+: These are the differential receiver outputs. They are AC coupled 100 $\Omega$  differential lines which should be terminated with 100 $\Omega$ (differential) at the user SERDES. The AC coupling is done inside the module and is thus not required on the host board. The voltage swing on these lines will be between 370mV and 2000 mV differential (185mV - 1000 mV single ended) when properly terminated.
8. VccR and VccT are the receiver and transmitter power supplies. They are defined as 3.3V  $\pm$ 5% at the SFP connector pin. Maximum supply current is 300 mA. Recommended host board power supply filtering is shown below. Inductors with DC resistance of less than 1 ohm should be used in order to maintain the required voltage at the SFP input pin with 3.3V supply voltage. When the recommended supply filtering network is used, hot plugging of the SFP transceiver module will result in an inrush current of no more than 30 mA greater than the steady state value. VccR and VccT may be internally connected within the SFP transceiver module.
9. TD-/+: These are the differential transmitter inputs. They are AC-coupled, differential lines with 100ohm differential termination inside the module. The AC coupling is done inside the module and is thus not required on the host board. The inputs will accept differential swings of 500 mV - 2400 mV (250 mV - 1200 mV single-ended), though it is recommended that values between 500 and 1200 mV differential (250 mV- 600 mV single-ended) be used for best EMI performance.



**AXCEN**  
PHOTONICS CORPORATION

**Mechanical Dimensions (Units in mm)**



\* DIMENSIONS ARE IN MILLIMETERS  
\* ALL DIMENSIONS ARE  $\pm 0.10\text{mm}$   
UNLESS OTHERWISE SPECIFIED

**Ordering Information**

**AXFD-E454-2581**

Product Code	Connector	Tx	Rx	Link	Temp.
AXFD-E454-2581	SC	1490nm	1310nm	20km	0~70°C