



## **AXGE-16A4 125Mbps/1.25Gbps Dual-rate, Single Fiber Bi-directional SFP, ONU Transceiver**



### **Product Overview**

The AXGE-16A4 is specifically designed for the high performance integrated duplex data link over a single optical fiber. These transceiver modules are compliant with the Small Form-factor Pluggable (SFP) Multisource Agreement (MSA). With the hot pluggability, these modules offer an easy way to be installed into SFP MSA compliant ports at any time without the interruption of the host equipments operating online.

The AXGE-16A4 BiDi SFP transceivers using a long wavelength (1310nm) FP laser diode and a 1550nm PIN for receiver enable data transmission up to 20km on a single-mode (9/125 $\mu$ m) optical fiber.

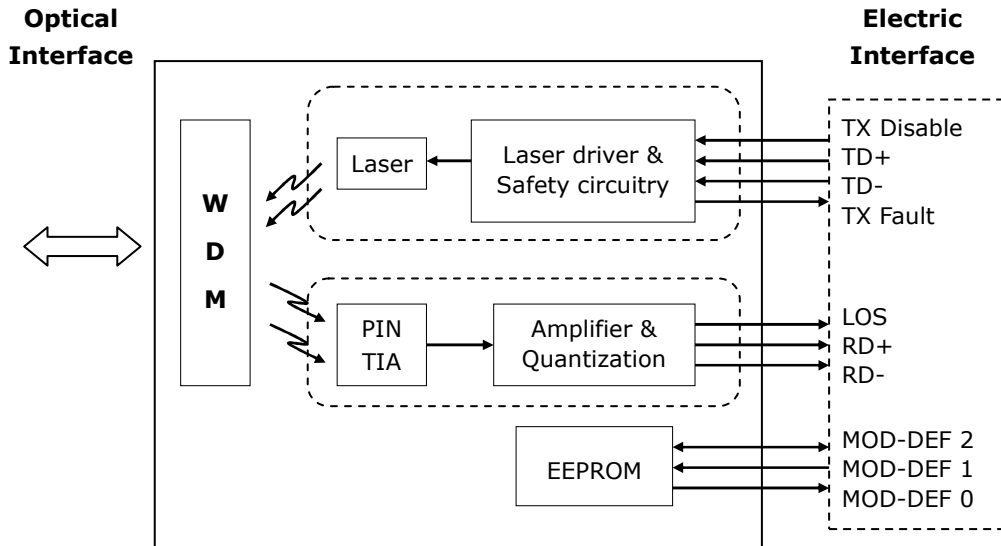
### **Features**

- **Support 125Mb/s and 1.25Gb/s bi-direction single-fiber link**
- **Single LC receptacle**
- **1310nm FP transmitter, 1550nm PIN receiver**
- **20km point-to-point transmission**
- **IEEE 802.3ah 1000BASE-BX10-U compliant**
- **SFP Multi-Source Agreement compliant**
- **Serial ID functionality support**
- **Class 1 laser safety standard IEC 60825 compliant**
- **Low power dissipation**

### **Applications**

- **FTTx**
- **Fast Ethernet**
- **Gigabit Ethernet**
- **High speed I/O for file server**
- **Switch backbone applications**

### Block diagram



The transceiver is fundamentally consisted by two parts: transmitter and receiver. The transmitter features a TTL logic level Disable signal and a Fault indicator. The receiver features a TTL logic Loss of Signal (LOS) detection. For the access of serial identification information, an EEPROM is used to store the required data via the 2-wire serial CMOS EEPROM protocol. The detailed signal descriptions are listed in the following sections.

### Absolute Maximum Ratings

Parameter	Symbol	Min.	Max.	Unit	Note
Storage Temperature	$T_s$	-40	+85	°C	
Supply Voltage	$V_{CC}$	-0.5	4.0	V	
Storage Relative Humidity	RH	5	95	%	

### Recommended Operating Conditions

Parameter	Symbol	Min.	Typ.	Max.	Unit	Note
Case Operating Temperature	$T_c$	0		70	°C	Refer to ordering information
		-40		85		
Supply Voltage	$V_{CCT}$ $V_{CCR}$	3.1	3.3	3.5	V	
Supply Current	$I_{TX} + I_{RX}$		150	250	mA	



## Transmitter Electro-Optical Interface

Parameter	Symbol	Min.	Typ.	Max.	Unit	Note
Transmitter Differential Input Voltage	TD +/-	400		2400	mV	
Tx_Fault - High	V <sub>Fault_H</sub>	2		V <sub>ccT</sub>	V	
Tx_Fault - Low	V <sub>Fault_L</sub>	V <sub>eeT</sub>		V <sub>eeT</sub> +0.8	V	
Tx_Disable - High	V <sub>Disable_H</sub>	2		V <sub>ccT</sub>	V	
Tx_Disable - Low	V <sub>Disable_L</sub>	V <sub>eeT</sub>		V <sub>eeT</sub> +0.8	V	
Optical Output Power	P <sub>o</sub>	-8		-2	dBm	1
Optical Extinction Ratio	E <sub>R</sub>	9			dB	
Center Wavelength	λ <sub>c</sub>	1270	1310	1355	nm	
Spectral Width (RMS)	Δλ			2.5	nm	
Optical Rise / Fall Time	t <sub>r</sub> / t <sub>f</sub>			260	ps	
Relative Intensity Noise	RIN			-113	dB/Hz	
Total Contributed Jitter	TJ			227	ps	

### Notes:

1. Coupling into a 9/125μm single-mode fiber.

## Receiver Electro-Optical Interface

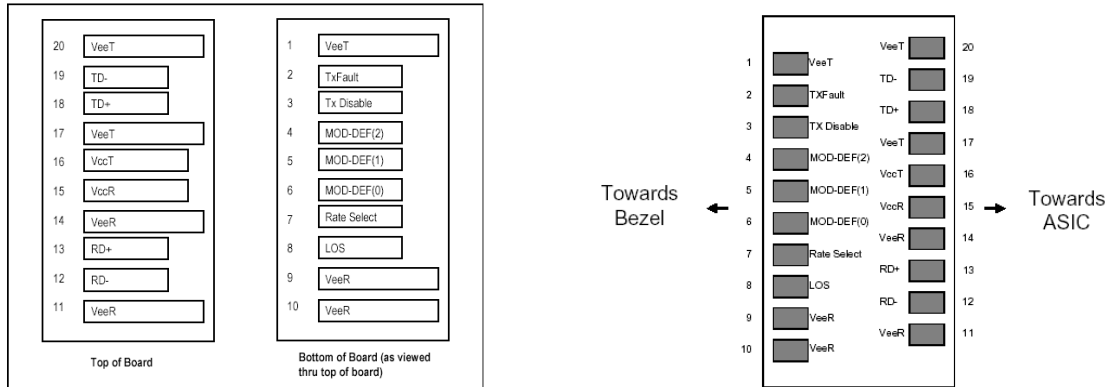
Parameter	Symbol	Min.	Typ.	Max.	Unit	Note
Receiver Differential Output Voltage	RD +/-	400		2000	mV	
Receiver Overload	P <sub>IN</sub> MAX	-2			dBm	1
Receiver Sensitivity	P <sub>IN</sub> MIN			-23	dBm	1
Operating Center Wavelength	λ <sub>c</sub>	1480		1580	nm	
Return Loss	RL	12			dB	
Receiver Loss of Signal - TTL Low	P <sub>RX_LOSD</sub>			-23	dBm	
Receiver Loss of Signal - TTL High	P <sub>RX_LOSA</sub>	-35			dBm	
Receiver Loss of Signal - Hysteresis	P <sub>RX_LOSH</sub>	0.5			dB	

### Notes:

1. With BER better than or equal to  $1 \times 10^{-12}$ , measured in the center of the eye opening with PRBS 2<sup>7</sup> -1



## Pin Description



**SFP Transceiver Electric Pad Layout**

**Diagram of Host Board Connector Block Pin Numbers and Names**

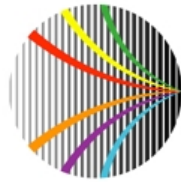
Pin No.	Pin Name	Function	Plug Seq.	Notes
1	VeeT	Transmitter Ground	1	
2	TX Fault	Transmitter Fault Indication	3	1
3	TX Disable	Transmitter Disable	3	2
4	MOD-DEF 2	Module Definition 2	3	3
5	MOD-DEF 1	Module Definition 1	3	3
6	MOD-DEF 0	Module Definition 0	3	3
7	Rate Select	Select between full or reduced receiver bandwidth	3	4
8	LOS	Loss of Signal	3	5
9	VeeR	Receiver Ground	1	6
10	VeeR	Receiver Ground	1	6
11	VeeR	Receiver Ground	1	6
12	RD-	Inv. Receiver Data Out	3	7
13	RD+	Receiver Data Out	3	7
14	VeeR	Receiver Ground	1	6
15	VccR	Receiver Power	2	8
16	VccT	Transmitter Power	2	8
17	VeeT	Transmitter Ground	1	6
18	TD+	Transmitter Data In	3	9
19	TD-	Inv. Transmitter Data In	3	9
20	VeeT	Transmitter Ground	1	6



**Notes:**

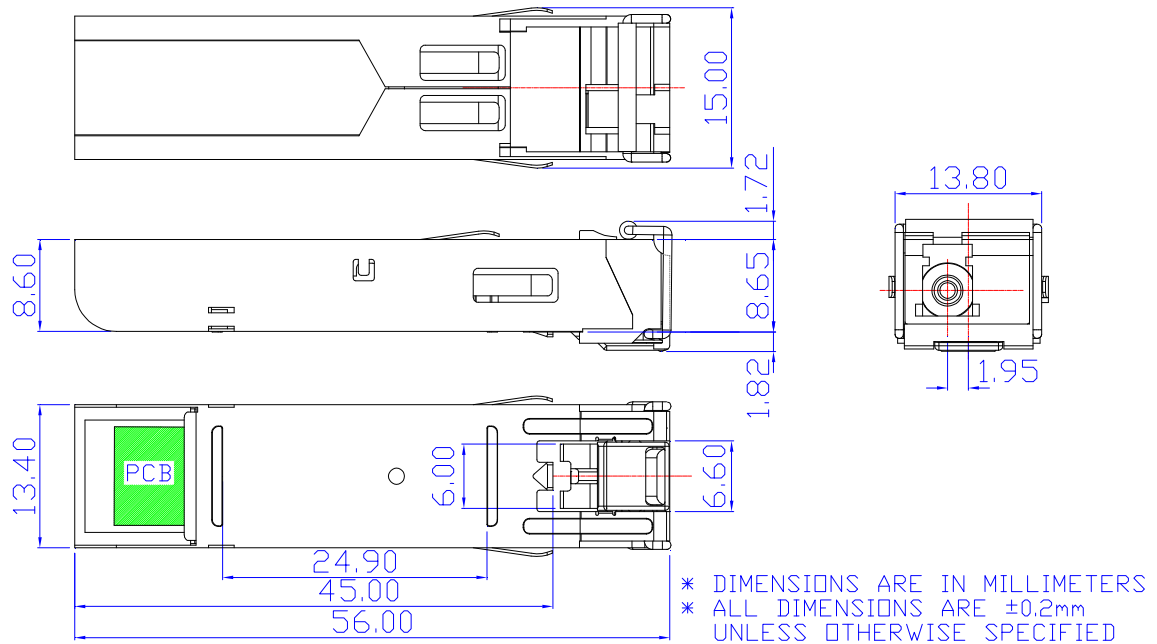
Plug Seq.: Pin engagement sequence during hot plugging.

1. TX Fault is an open collector/drain output, which should be pulled up with a 4.7K – 10K $\Omega$  resistor on the host board. Pull up voltage between 2.0V and VccT, R+0.3V. When high, output indicates a laser fault of some kind. Low indicates normal operation. In the low state, the output will be pulled to < 0.8V.
2. TX disable is an input that is used to shut down the transmitter optical output. It is pulled up within the module with a 4.7 – 10 K $\Omega$  resistor. Its states are:
  - Low (0 – 0.8V): Transmitter on
  - (>0.8, < 2.0V): Undefined
  - High (2.0 – 3.465V): Transmitter Disabled
  - Open: Transmitter Disabled
3. Mod-Def 0,1,2. These are the module definition pins. They should be pulled up with a 4.7K - 10K $\Omega$  resistor on the host board. The pull-up voltage shall be VccT or VccR
  - Mod-Def 0 is grounded by the module to indicate that the module is present
  - Mod-Def 1 is the clock line of two wire serial interface for serial ID
  - Mod-Def 2 is the data line of two wire serial interface for serial ID
4. This is an optional input used to control the receiver bandwidth for compatibility with multiple data rates (most likely Fiber Channel 1x and 2x Rates). If implemented, the input will be internally pulled down with > 30k $\Omega$  resistor. The input states are:
  - Low (0 - 0.8V): Reduced Bandwidth
  - (>0.8, < 2.0V): Undefined
  - High (2.0 V -3.465V): Full Bandwidth
  - Open: Reduced Bandwidth
5. LOS (Loss of Signal) is an open collector/drain output, which should be pulled up with a 4.7K -10K $\Omega$  resistor. Pull up voltage between 2.0V and VccT, R+0.3V. When high, this output indicates the received optical power is below the worst-case receiver sensitivity (as defined by the standard in use). Low indicates normal operation. In the low state, the output will be pulled to < 0.8V.
6. VeeR and VeeT may be internally connected within the SFP module.
7. RD-/+ : These are the differential receiver outputs. They are AC coupled 100 $\Omega$  differential lines which should be terminated with 100 $\Omega$ (differential) at the user SERDES. The AC coupling is done inside the module and is thus not required on the host board. The voltage swing on these lines will be between 370mV and 2000 mV differential (185mV - 1000 mV single ended) when properly terminated.
8. VccR and VccT are the receiver and transmitter power supplies. They are defined as 3.3V  $\pm$ 5% at the SFP connector pin. Maximum supply current is 300 mA. Recommended host board power supply filtering is shown below. Inductors with DC resistance of less than 1 ohm should be used in order to maintain the required voltage at the SFP input pin with 3.3V supply voltage. When the recommended supply filtering network is used, hot plugging of the SFP transceiver module will result in an inrush current of no more than 30 mA greater than the steady state value. VccR and VccT may be internally connected within the SFP transceiver module.
9. TD-/+ : These are the differential transmitter inputs. They are AC-coupled, differential lines with 100ohm differential termination inside the module. The AC coupling is done inside the module and is thus not required on the host board. The inputs will accept differential swings of 500 mV - 2400 mV (250 mV - 1200 mV single-ended), though it is recommended that values between 500 and 1200 mV differential (250 mV- 600 mV single-ended) be used for best EMI performance.



## Mechanical Dimensions (Units in mm)

### Bail Latch



## Ordering Information

### AXGE-16A4-058x

#### Operating Temperature

- 1: 0 ~ 70°C
- 3: -40 ~ 85°C

Model No.	Tx	LD	Rx	I/O	LOS	Link	Temp.
AXGE-16A4-0581	1310nm	FP	1550nm	AC/AC	TTL	20km	0~70°C
AXGE-16A4-0583	1310nm	FP	1550nm	AC/AC	TTL	20km	-40~85°C