



AXGE-3751 1.25Gbps Single Fiber Bi-directional, 1x9, SC Receptacle, OLT Transceiver



Product Overview

The AXGE-3751 family of 1x9 transceiver modules is specifically designed for the high performance integrated duplex data link over single-mode optical fiber. These transceiver modules are compliant with the Multisource Agreement (MSA). These modules are designed to provide 1000Base-BX10 compliant in Fast Ethernet applications.

The AXGE-3751 BiDi 1x9 transceivers using a 1550nm DFB laser diode and 1310nm PIN diode enable data transmission up to 40km on a single-mode (9/125 μ m) optical fiber.

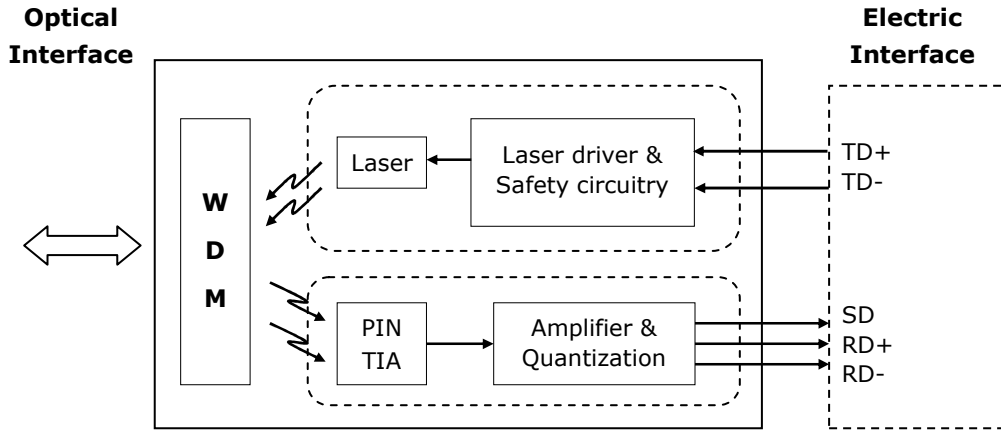
Applications

- **FTTx**
- **Gigabit Ethernet**
- **High speed I/O for file server**
- **Switch backbone application**

Features

- **1.25Gbps bi-directional single fiber link**
- **Low Profile plastic molded package**
- **Single SC receptacle**
- **1550nm DFB transmitter, 1310nm PIN receiver**
- **1.25Gbps IEEE 802.3ah 1000BASE-BX10-D compliant**
- **Single +3.3V power supply operation**
- **DC or AC coupling PECL level inputs and outputs**
- **PECL or TTL signal detect output**
- **Class 1 laser safety standard IEC 60825 compliant**
- **40km/60km link on a single-mode fiber**
- **Low power dissipation**

Block diagram



The transceiver is fundamentally consisted by two parts: transmitter and receiver. The transmitter features LVPECL differential data inputs (TD+ and TD-). The receiver features LVPECL differential data outputs (RD+ and RD-) and LVPECL or TTL for signal detect output (SD).

Absolute Maximum Ratings

Parameter	Symbol	Min.	Max.	Unit	Note
Storage Temperature	T _S	-40	+85	°C	
Supply Voltage	V _{CC} T V _{CC} R	-0.5	4.0	V	
Storage Relative Humidity	RH	5	95	%	
Lead Soldering Temperature	T _{IS}		260	°C	
Lead Soldering Time	t _{IS}		10	sec	

Recommended Operating Conditions

Parameter	Symbol	Min.	Typ.	Max.	Unit	Note
Case Operating Temperature	T _C	0		70	°C	Refer to ordering information
		-40		85		
Supply Voltage	V _{CC}	3.1	3.3	3.5	V	
Supply Current	I _{TX} + I _{RX}		150	300	mA	



Transmitter Electro-Optical Interface

Parameter		Symbol	Min.	Typ.	Max.	Unit	Note
Data Input Voltage – Low		V_L-V_{CC}	-1.81		-1.475	V	
Data Input Voltage - High		V_H-V_{CC}	-1.165		-0.880	V	
Optical Output Power	40km	P_O	-3		2	dBm	1
	60km		0		5		
Optical Extinction Ratio		E_R	9			dB	
Center Wavelength		λ_C	1530	1550	1570	nm	
Spectral Width (-20dB)		$\Delta\lambda$			1	nm	
Optical Rise / Fall Time		t_r / t_f			260	ps	
Total Contributed Jitter		TJ			227	ps	2

Notes:

1. Coupling into a 9/125 μ m single-mode fiber.
2. 20% to 80% value

Receiver Electro-Optical Characteristics

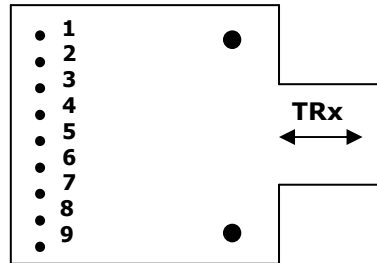
Parameter		Symbol	Min.	Typ.	Max.	Unit	Note
Receiver Overload		P_{INMAX}	-1			dBm	1
Receiver Sensitivity	40km	P_{INMIN}			-23	dBm	1
	60km				-24		
Operating Center Wavelength		λ_C	1260		1360	nm	
Receiver Output Voltage - Low		$V_{OL}-V_{CC}$	-2		-1.58	V	
Receiver Output Voltage - High		$V_{OH}-V_{CC}$	-1.1		-0.74	V	
Receiver Signal Detect – Low		P_{RX_SDD}	-35			dBm	
Receiver Signal Detect – High		P_{RX_SDA}			-24	dBm	
Receiver Signal Detect - Hysteresis		P_{RX_SDH}	0.5			dB	

Notes:

1. With BER better than or equal to 1×10^{-12} , measured in the center of the eye opening with $2^7 - 1$ PRBS



Pin Description

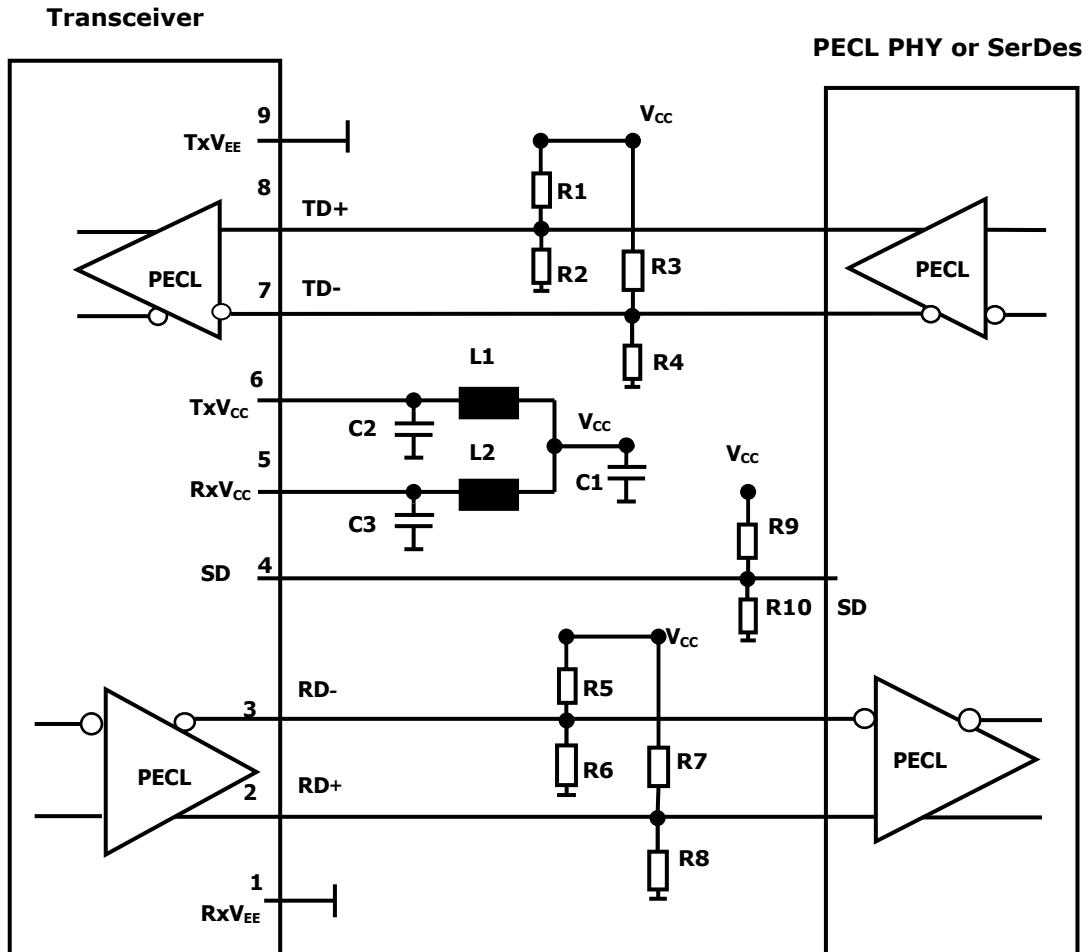


Top View

Pin No	Pin Name	Function	Notes
1	RxV _{EE}	Receiver signal ground	
2	RD+	Receiver data out	PECL
3	RD-	Receiver data out bar	PECL
4	SD	Signal detect	
5	RxV _{CC}	Receiver power supply	
6	TxV _{CC}	Transmitter power supply	
7	TD-	Transmitter data in bar	PECL
8	TD+	Transmitter data in	PECL
9	TxV _{EE}	Transmitter signal ground	

Recommended Interface Circuit

TX DC Coupling / RX DC Coupling, PECL Signal Detect



Notes:

R1/R3/R5/R7/R9=130 ohm @3.3V (Depends on SerDes chip used.)

=82 ohm @5V (Depends on SerDes chip used.)

R2/R4/R6/R8/R10=82 ohm @3.3V (Depends on SerDes chip used.)

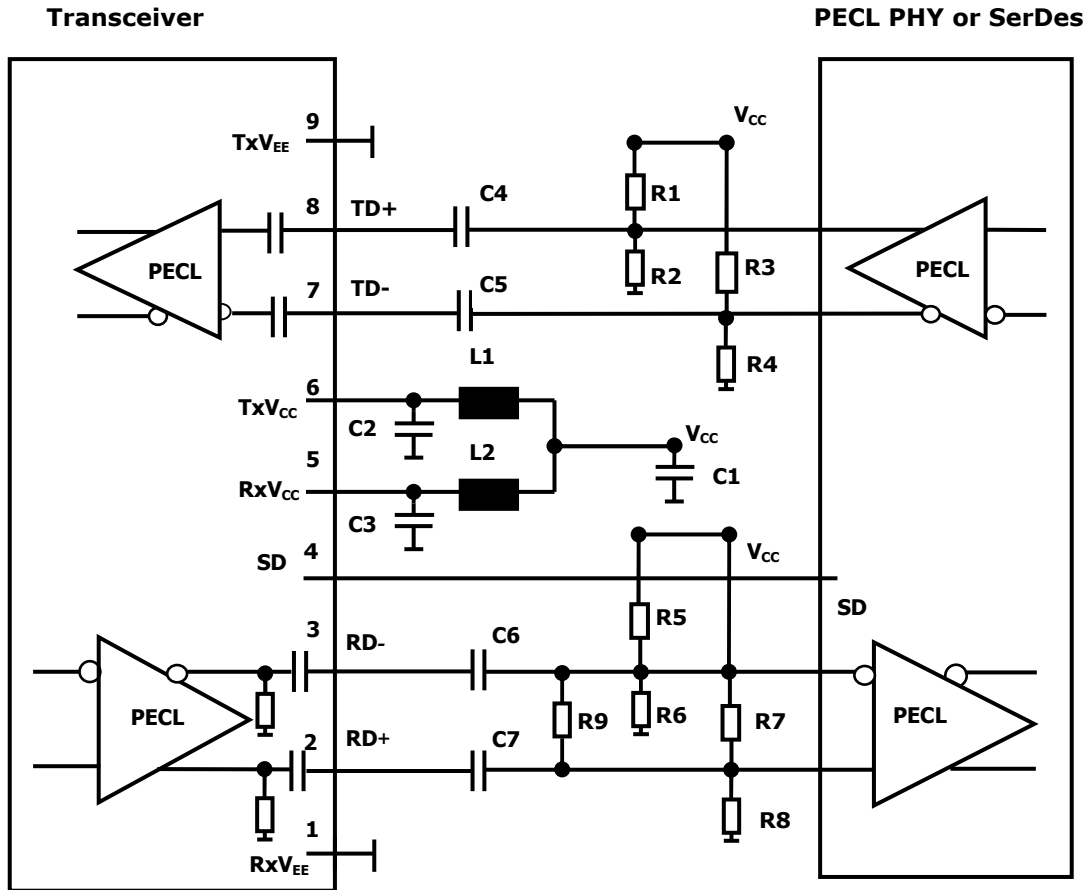
=130 ohm @5V (Depends on SerDes chip used.)

C1=10uF

C2/C3=0.1uF

L1=L2=1uH

TX AC Coupling / RX AC Coupling, TTL Signal Detect



Notes:

R1/R3/R5/R7/R9=130 ohm @3.3V (Depends on SerDes chip used.)

=82 ohm @5V (Depends on SerDes chip used.)

R2/R4/R6/R8/R10=82 ohm @3.3V (Depends on SerDes chip used.)

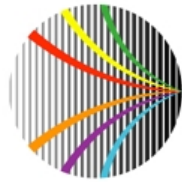
=130 ohm@5V (Depends on SerDes chip used.)

R9 =100 ohm (Depends on SerDes chip used.)

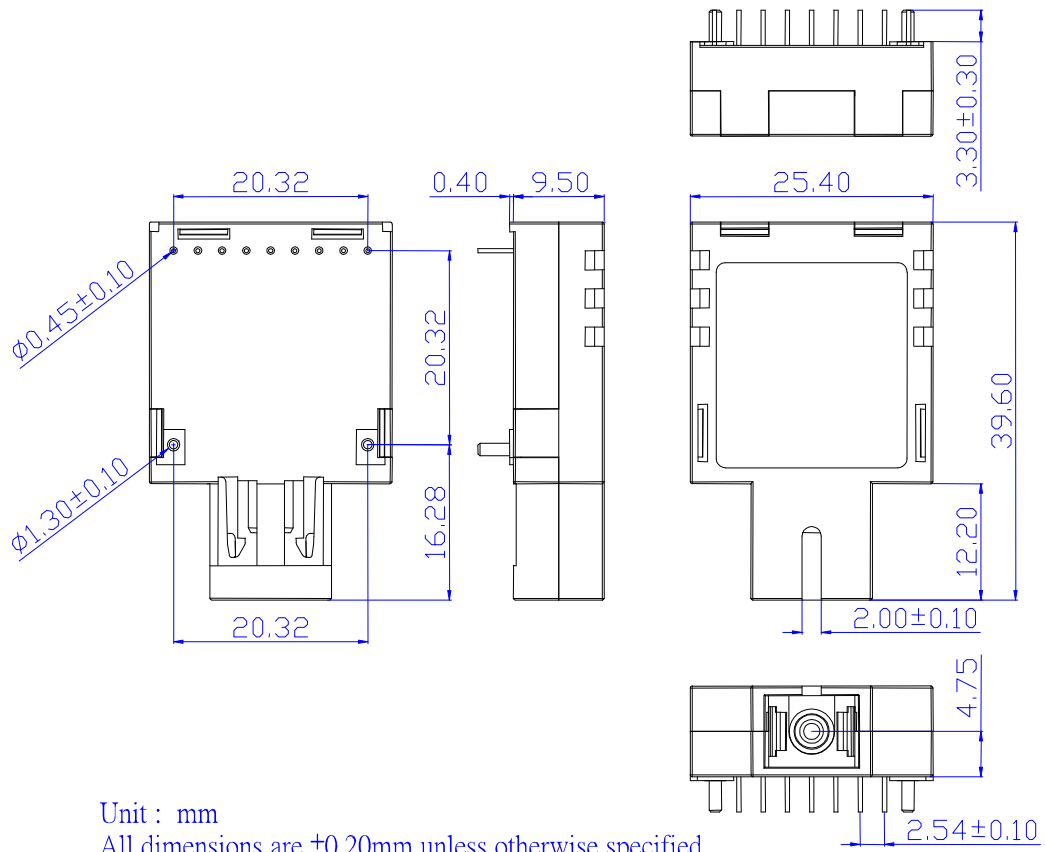
C1=10uF

C2/C3/C4/C5/C6/C7=0.1uF

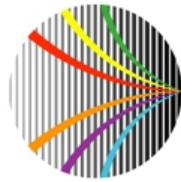
L1=L2=1uH



Mechanical Dimensions (Units in mm)

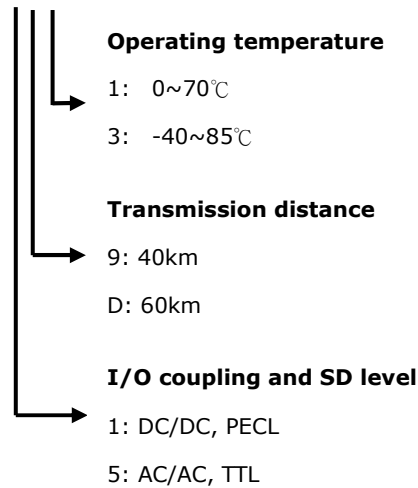


Unit : mm
All dimensions are ± 0.20 mm unless otherwise specified



Ordering Information

AXGE-3751-0xyz



Model No.	Tx	LD	Rx	I/O	SD	Link	Temp.
AXGE-3751-0191	1550nm	DFB	1310nm	DC/DC	PECL	40km	0~70°C
AXGE-3751-0193	1550nm	DFB	1310nm	DC/DC	PECL	40km	-40~85°C
AXGE-3751-01D1	1550nm	DFB	1310nm	DC/DC	PECL	60km	0~70°C
AXGE-3751-01D3	1550nm	DFB	1310nm	DC/DC	PECL	60km	-40~85°C
AXGE-3751-0591	1550nm	DFB	1310nm	AC/AC	TTL	40km	0~70°C
AXGE-3751-0593	1550nm	DFB	1310nm	AC/AC	TTL	40km	-40~85°C
AXGE-3751-05D1	1550nm	DFB	1310nm	AC/AC	TTL	60km	0~70°C
AXGE-3751-05D3	1550nm	DFB	1310nm	AC/AC	TTL	60km	-40~85°C